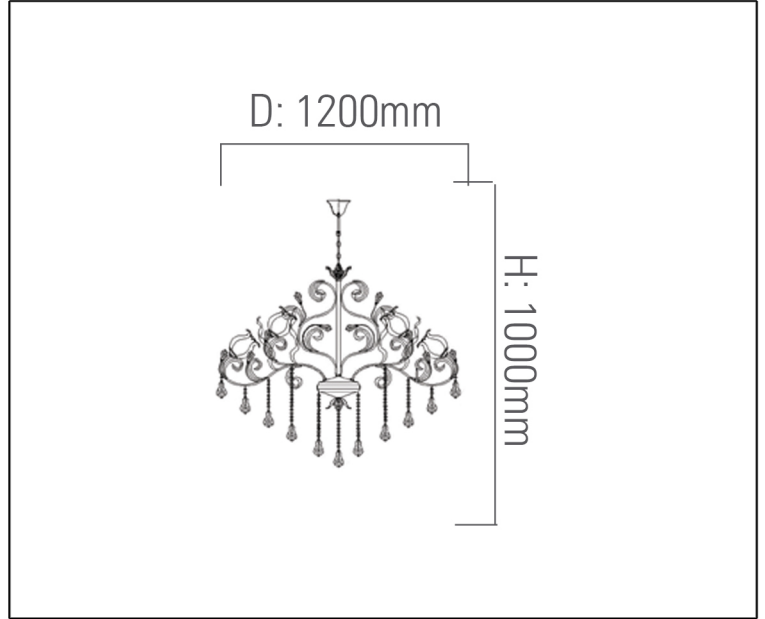


SYV[®]
design



CRYSTAL CHANDELIERS

TECHNICAL DATA SHEET - MAZZO - 13512 - CRYSTAL CHANDELIER



13512
Suspended Mounted
Lamp Type: E14 x 12
Rated input power: 40W Max



Product Description

The gold swirl featured chandelier with 2 tiers of hand blown glass shades. Mazzo has a unique combination of peach and gold with clear crystals that will definitely brighten up your interiors.

Technical Data

Product Data	Crystal Chandelier
Wattage	40W
IP Rating	20
Material	Crystals + Gold Foil body + Glass Shades
Finish	Peach and Gold
Applications	Residential & Hospitality
Warranty	N/A