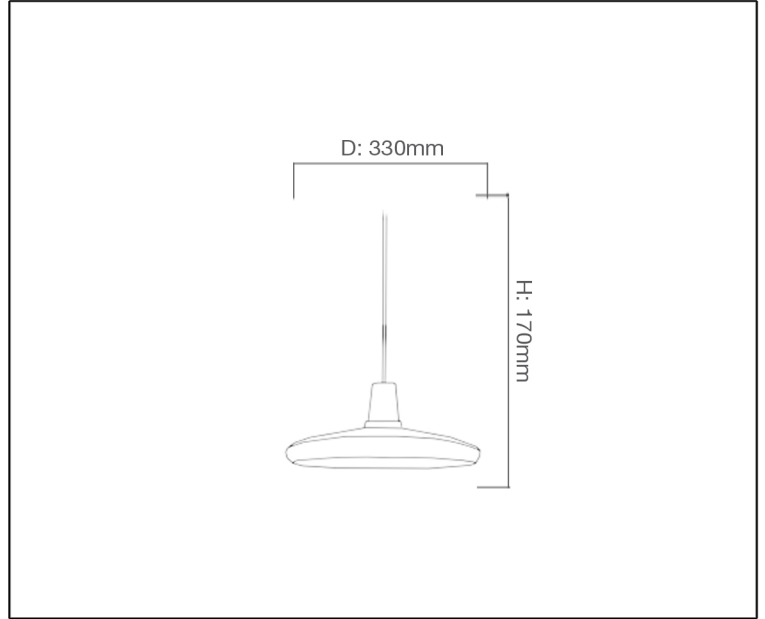


SYV[®]
design



ARCHITECTURAL
PENDANT LIGHT

TECHNICAL DATA SHEET - LAGO D - 13783 - PENDANT LIGHT



13783
Pendant Light
Lamp Type: E27
Rated input power: 60W



Product Description

The elegant hand blown glass is held by a simple wooden cone suspended from cord. It has a striking Scandinavian styling that would look great in a number of settings. Their smooth shaped curves shows how well wood and glass work together.

Technical Data

Product Data	Pendant Light
Wattage	60W
IP Rating	20
Material	Wood + Clear smoky shade
Finish	Brown + Clear
Applications	Residential, Hospitality
Warranty	1 Year