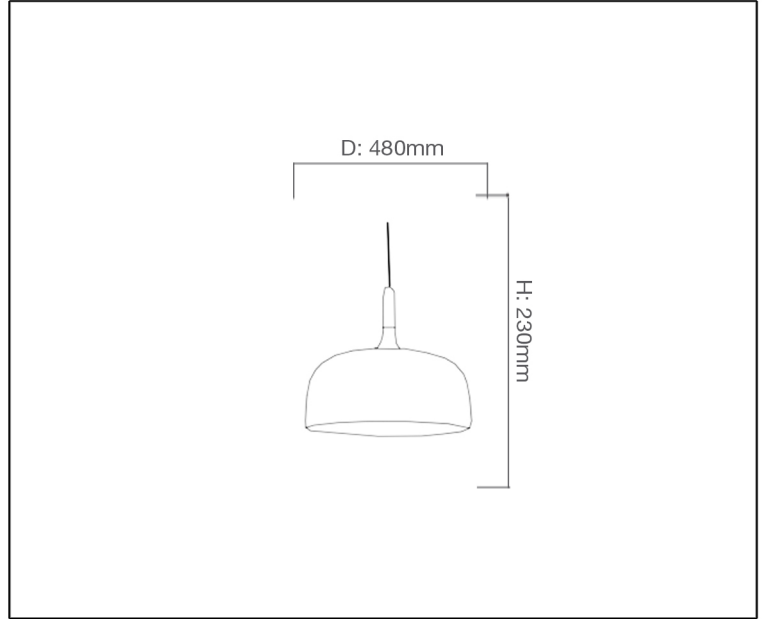


SYV[®]
design



ARCHITECTURAL
PENDANT LIGHT

TECHNICAL DATA SHEET - PENDAZA L - 13793 - PENDANT LIGHT



13793
Pendant Light
Lamp Type: E27
Rated input power: 60W



Product Description

Contemporary aluminum oak pendant lamp that blends perfectly with modern home decors and decorations that can brighten up any interior spaces. The bowl shape can be found at the end of flow of body line and oak wood is used to pursue the harmony within the area.

Technical Data

Product Data	Pendant Light
Wattage	60W
IP Rating	20
Material	Aluminum body + Wood
Finish	White
Applications	Residential, Hospitality
Warranty	1 Year