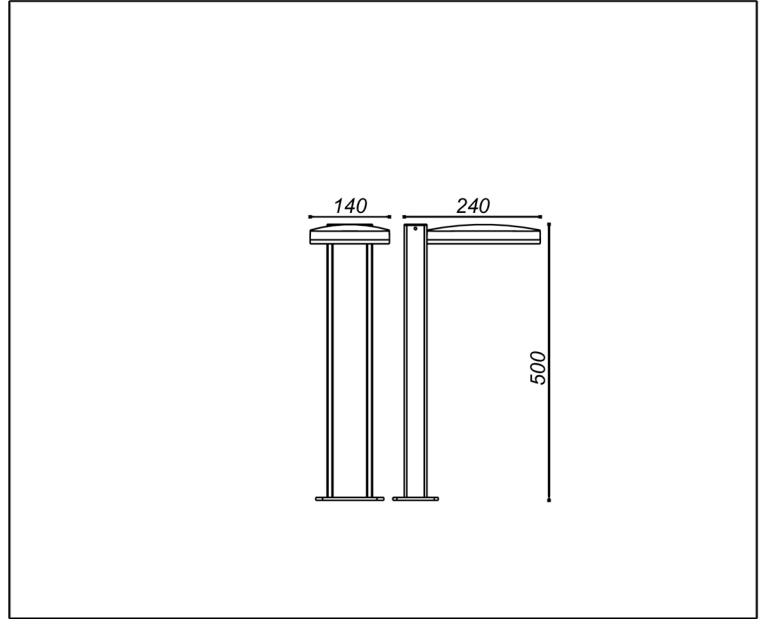
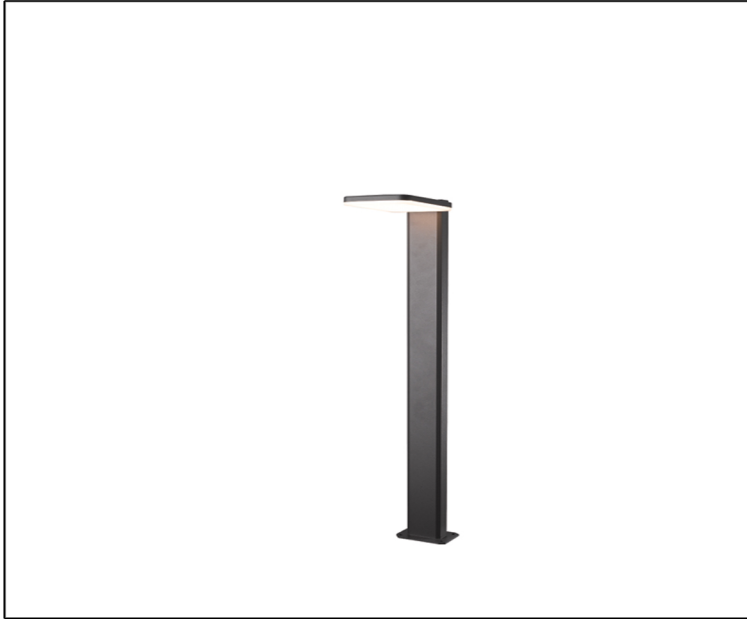


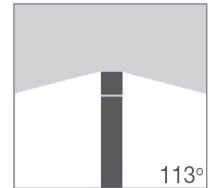
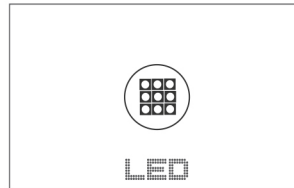


BOLLARD & PATHWAY  
LUMINAIRE

## TECHNICAL DATA SHEET - BAUM S - 13800 - BOLLARD & PATHWAY LUMINAIRE



13800  
LED  
Rated Luminaire Luminous Flux: 675lm  
Rated input power: 8W  
Luminaire Efficiency: 84lm/W  
Input Voltage: 100-240V

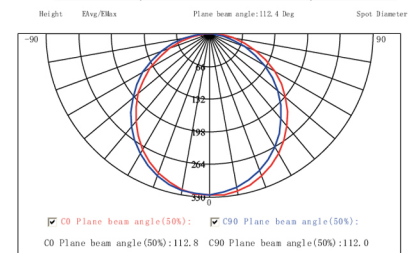
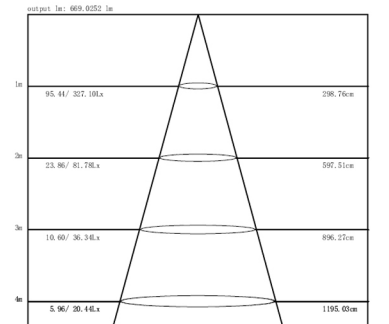


### Product Description

An uncompromisingly tough bollard offering the latest in LED technology and optical control for superb lighting performance. It captures the essence of simple geometric forms to deliver an elegant architectural styles.

### Technical Data

Product Data	Bollard & Pathway Luminaire
Wattage	8W
Color Temperature	3000K
Rated Luminaire Luminous Flux	675lm
IP	54
Beam Angle	113°
Frequency Range	50-60Hz
CRI	Ra>80
Power Factor	>0.9
Material	Aluminium Body with Opal PC Diffuser
Finish	Dark Grey
Life Span	20,000Hrs
Warranty	2 Years
Applications	Commercial, Residential



### Options

Color Temperature	3000K, 4000K, 6000K
Finish	Dark Grey / Silver / White / Black / Rust