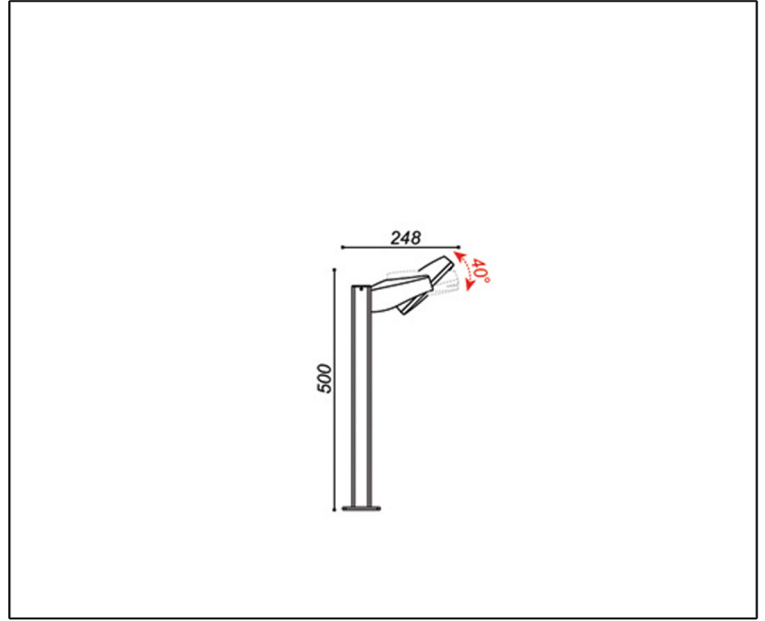


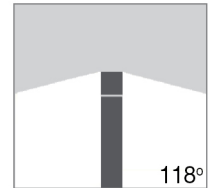
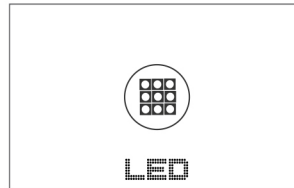


BOLLARD & PATHWAY  
LUMINAIRE

## TECHNICAL DATA SHEET - KRIPPER S - 13803 - BOLLARD & PATHWAY LUMINAIRE



13803  
LED  
Rated Luminaire Luminous Flux: 475lm  
Rated input power: 6W  
Luminaire Efficiency: 79lm/W  
Input Voltage: 100-240V



### Product Description

Add modern sophistication to your garden pathway when you line it with our rounded variation on traditional led bollard lights. European inspired design, machined out of blocks of aluminum, gives this path light both the look and quality.

### Technical Data

Product Data	Bollard & Pathway Luminaire
Wattage	6W
Color Temperature	3000K
Rated Luminaire Luminous Flux	475lm
IP	54
Beam Angle	118°
Frequency Range	50-60Hz
CRI	Ra>80
Power Factor	>0.9
Material	Aluminium Body with Opal PC Diffuser
Finish	Dark Grey
Life Span	20,000Hrs
Warranty	2 Years
Applications	Commercial, Residential

### Options

Color Temperature	3000K, 4000K, 6000K
Finish	Dark Grey / Silver / White / Black / Rust

