

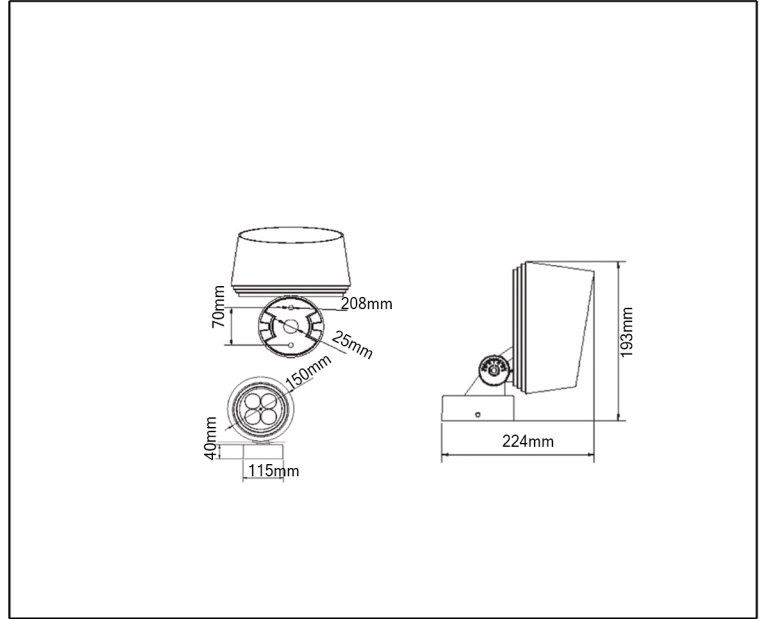
**SYV**  
design



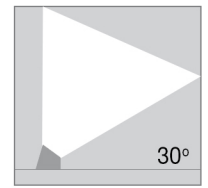
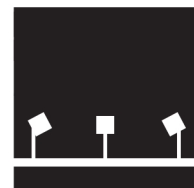
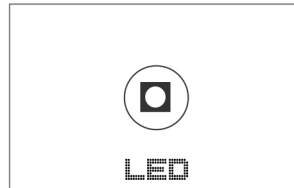
FLOOD LIGHT



## TECHNICAL DATA SHEET - KELIN - 14122 - FLOOD LIGHT



14122  
 CREE LED  
 Rated Luminaire Luminous Flux: 1900lm  
 Rated input power: 20W  
 Luminaire Efficiency: 95lm/W  
 Input Voltage: 100-240V



### Product Description

The Kelin Floodlight is a uniquely developed & Engineered to incorporate the latest LED technology and design. It saves energy consumption and prevent the temperature from being too high, thus lengthen the lifespan.

### Technical Data

Product Data	Flood Light
Wattage	20W
Color Temperature	3000K
Rated Luminaire Luminous Flux	1900lm
IP Rating	66
Beam Angle	30°
Frequency Range	50-60Hz
CRI	Ra>80
Power Factor	>0.9
Material	Die Cast Aluminium body
Finish	Grey
Life Span	50,000Hrs
Warranty	5 Years
Applications	Commercial, Hospitality, Retail

### Options

Wattage	20W, 15W
Color Temperature	3000K - 6000K, RGB
Beam Angle	3.5°, 12°, 20°, 30°