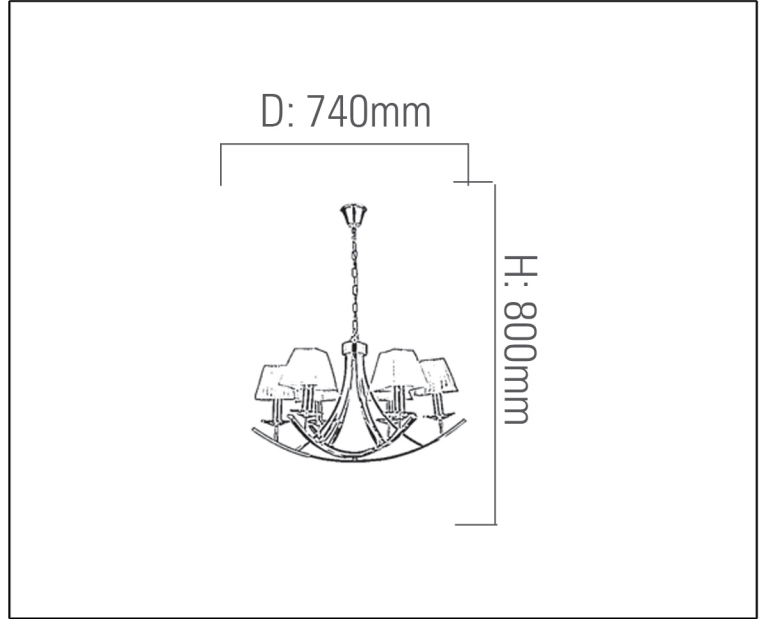


**SYV**<sup>®</sup>  
design



CLASSIC CHANDELIERS

## TECHNICAL DATA SHEET - BARCOS 6 - 14319 - CLASSIC CHANDELIER



14319  
Suspended Mounted  
Lamp Type: E14 x 6  
Rated input power: 40W Max



### Product Description

Barcos embodies an art deco aesthetic, with white glass shades and brushed chrome finish. The slender, elegant curves makes it perfect for high or lower ceilings.

### Technical Data

Product Data	Classic Chandelier
Wattage	40W
IP Rating	20
Material	Iron + Fabric shade + Crystal
Finish	Chrome
Applications	Residential & Hospitality
Warranty	N/A