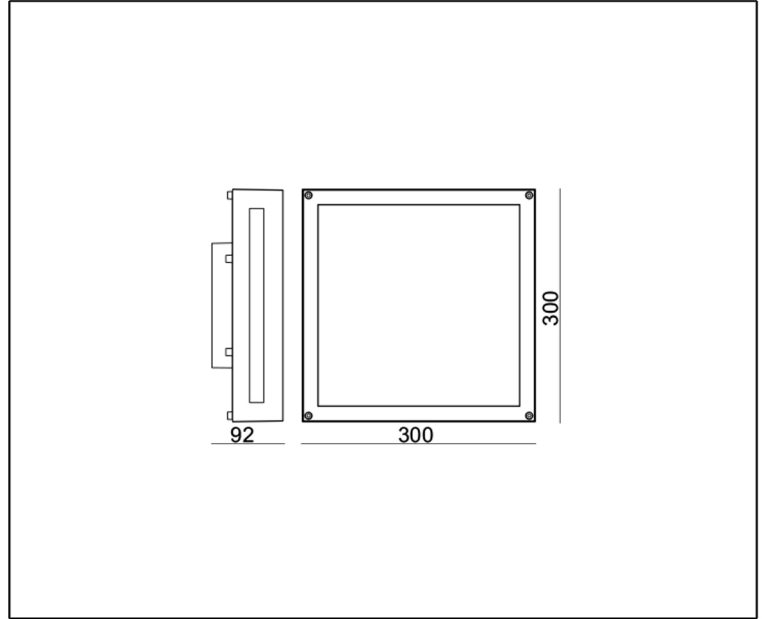


SYV[®]
design

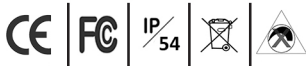


CEILING LUMINAIRE

TECHNICAL DATA SHEET - UNISER - 14632 - WALL/CEILING LUMINAIRE



14632
 LED
 Rated Luminaire Luminous Flux: 584lm
 Rated input power: 16.2W
 Luminaire Efficiency: 36lm/W
 Input Voltage: 220-240V or 110-130V



Product Description

Express your style with the sleek, modern wall/ceiling mounted fitting, Uniser. The simple square shape glass in mat-finished is ideal for lighting modern exteriors. This die-cast aluminum lamp with diffuser made of opal PC provides a pleasant continuity of your outdoor such as porticoes, gardens and etc.

Technical Data

| | |
|-------------------------------|--|
| Product Data | Wall/Ceiling Luminaire |
| Wattage | 16.2W |
| Color Temperature | 3000K |
| Rated Luminaire luminous flux | 584lm |
| IP Rating | 54 |
| Beam Angle | 114° |
| Frequency Range | 50-60Hz |
| CRI | >80 |
| Power Factor | >0.9 |
| Material | Aluminium body + PC |
| Finish | Dark Grey + White |
| Life Span | 30,000Hrs |
| Warranty | 3 Years |
| Applications | Residential, Hospitality, Commercial, etc. |

