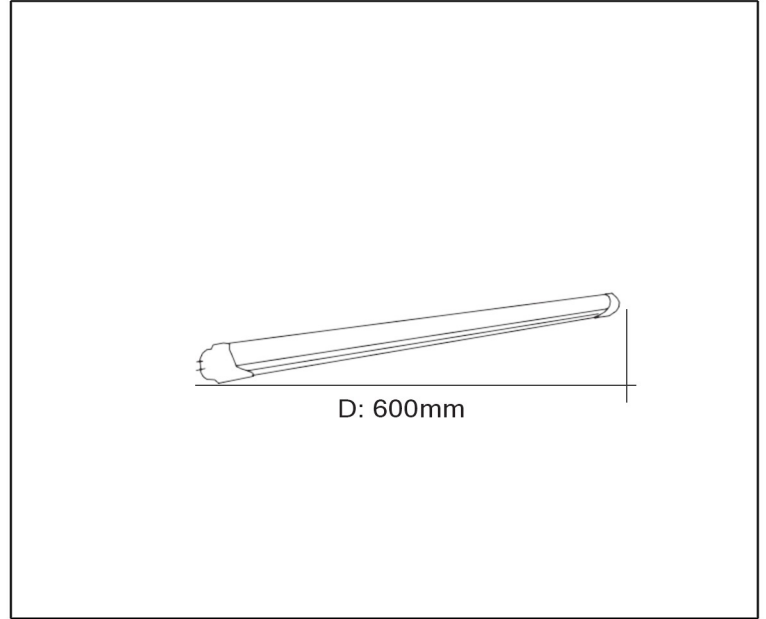


SYV[®]

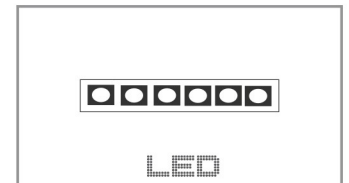


LED LAMP

TECHNICAL DATA SHEET - GLAX 8 WW - 13970 - LED TUBELIGHT



13970
 EPISTAR LED
 Rated Luminaire luminous flux: 1030lm
 Rated input power: 8W
 Luminaire efficiency: 131lm/w
 Input voltage: AV175-240V



Product Description

With patented driver design, LED tube light is able to work with 90% of the major ballasts in the market regardless of whether it is inductive or electronic, the unique designed lens with oval shape makes it look same as fluorescent tube when light up. Universal compatible design allows you to replace the fluorescent tube directly without rewiring.

Technical Data

| | |
|-------------------------------|---|
| Product Data | LED Tubelight |
| Wattage | 8W |
| Color Temperature | 3000K |
| Rated Luminaire Luminous Flux | 1030lm |
| IP Rating | 20 |
| Beam Angle | 240° |
| Frequency Range | 50-60Hz |
| CRI | Ra>80 |
| Power Factor | >0.9 |
| Material | Acrylic body + Aluminium Heat Sink + Frosted Cover |
| Finish | White |
| Life Span | 20,000Hrs |
| Warranty | 2 Years |
| Applications | Residential, Commercial, Retail, etc. |