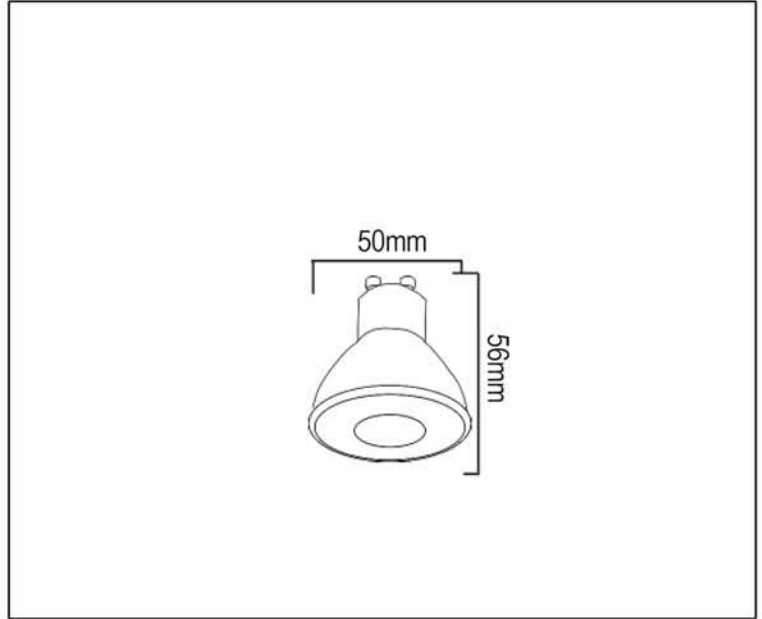


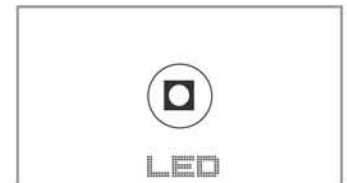


LED LAMP

TECHNICAL DATA SHEET - INFINITY X PRO - 14846 - LED LAMP



14846
 GU10 LED
 Rated Luminaire luminous flux: 550lm
 Rated input power: 7W
 Luminaire efficiency: 79lm/w
 Input voltage: 220-240V



Product Description

Looking to go Green! Then Infinity X Pro is the answer. A low voltage LED bulb offering warm white. This energy efficient bulb has a 38 degree beam angle. Plus a life expectancy up to 30,000 hours. Infinity Pro will save up to 80% energy, and contains no mercury or lead.

Technical Data

Product Data	LED Lamp
Wattage	7W
Color Temperature	2700K
Rated Luminaire Luminous Flux	550lm
Beam Angle	38°
Current	33mA
Frequency Range	50-60Hz
CRI	Ra>98
Power Factor	>0.9
Material	Pure Aluminium + Heat Sink
Finish	White
Life Span	20,000Hrs
Warranty	3 Years
Applications	Residential, Commercial, Retail, etc.