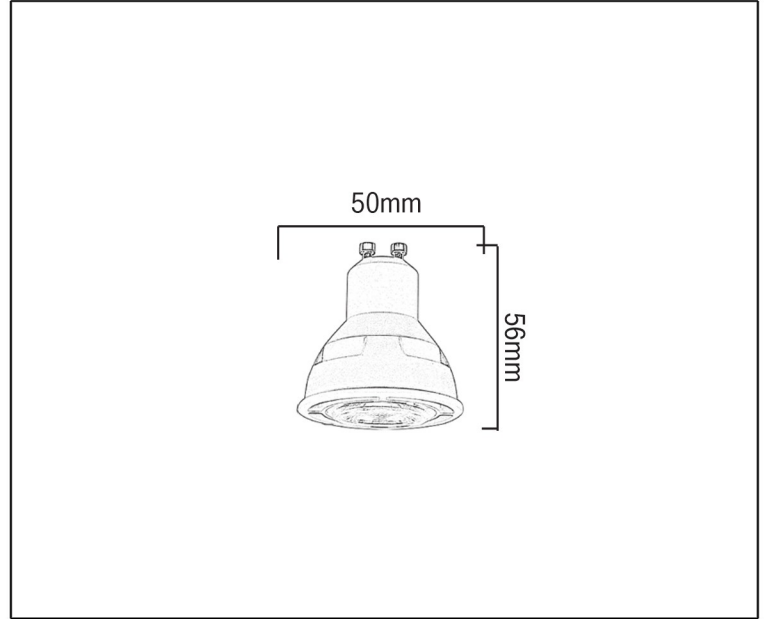


SYV[®]

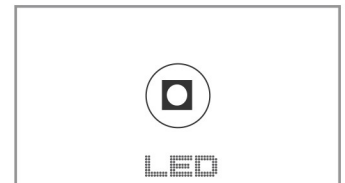


LED LAMP

TECHNICAL DATA SHEET - LEO PRO - 14119 - LED LAMP



14119
 GU10 EPISTAR LED
 Rated Luminaire luminous flux: 350lm
 Rated input power: 4W
 Luminaire efficiency: 87.5lm/w
 Input voltage: 220-240V



Product Description

Looking to go Green! Then Infinity Pro is the answer. A low voltage LED bulb offering warm white. This energy efficient bulb has a 38 degree beam angle. Plus a life expectancy up to 30,000 hours. Infinity Pro will save up to 80% energy, and contains no mercury or lead.

Technical Data

Product Data	LED Lamp
Wattage	4W
Color Temperature	2700K
Rated Luminaire Luminous Flux	350lm
Beam Angle	38°
Current	43mA
Frequency Range	50-60Hz
CRI	Ra>80
Power Factor	>0.9
Material	Pure Aluminium + Frosted Surface
Finish	White
Life Span	30,000Hrs
Warranty	3 Years
Applications	Residential, Commercial, Retail, etc.

Options

Wattage	5W, 6W, 7W
Color Temperature	2700K, 4000K, 6000K
Beam Angle	60°