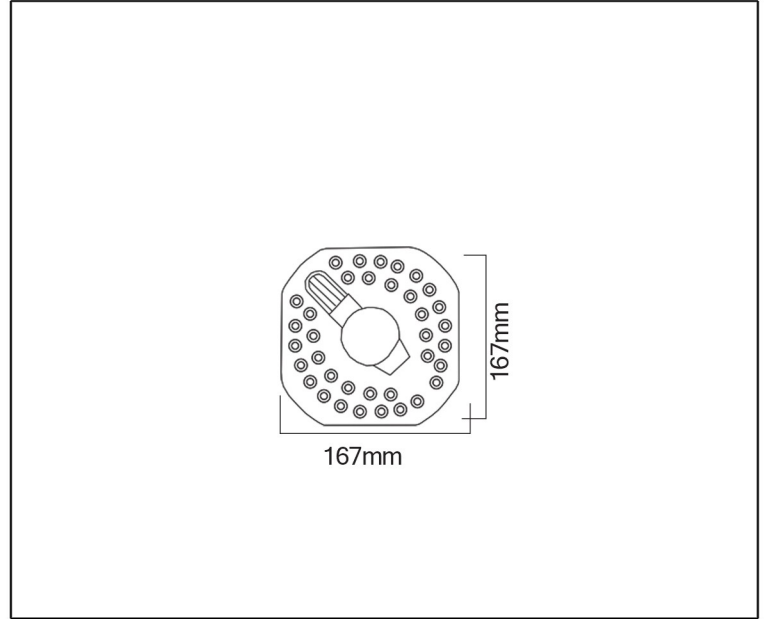


SYV[®]

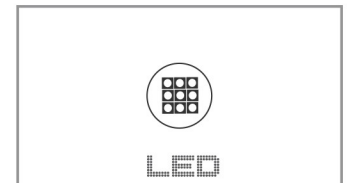


LED LAMP

TECHNICAL DATA SHEET - ROHOR 20 DL - 14236 - LED LAMP



14236
 EPISTAR LED
 Rated Luminaire luminous flux: 1540lm
 Rated input power: 20W
 Luminaire efficiency: 77lm/w
 Input voltage: AV220-240V



Product Description

Rohor breaks all conventional LED Lamps. With an inbuilt transformer and multiple LED Chip all in one, produces better lighting for any indoor or outdoor light fittings. A perfect LED Lamp solution.

Technical Data

Product Data	LED Lamp
Wattage	20W
Color Temperature	6000K
Rated Luminaire Luminous Flux	1540lm
IP Rating	20
Beam Angle	180°
Frequency Range	50-60Hz
CRI	Ra>80
Power Factor	>0.9
Material	Electronic Ballast + PVC Diffuser
Finish	White
Life Span	20,000Hrs
Warranty	2 Years
Applications	Residential, Commercial, Retail, etc.