

SYV[®]

¡El Cash&Carry para todos los públicos!

VINO TORRE BENITEZ TEMPRANILLO

0,85

75cl

¡El Cash&Carry para todos los públicos!

PEPSI, PEPSI LIGHT, PEPSI MAX, SEVEN UP, KAS LIMON O KAS NARANJA

0.85

¡El Cash&Carry para todos los públicos!

CAFE MOLIDO SAIMAZA NATURAL O MEZCLA

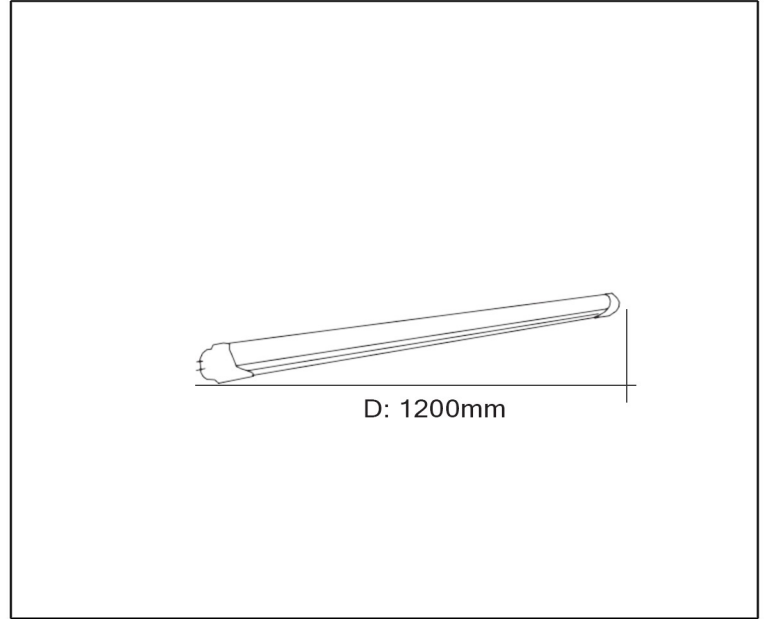
1,29

250gr

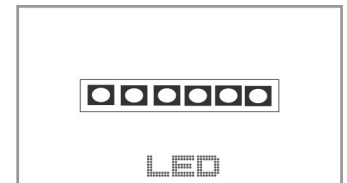


LED LAMP

TECHNICAL DATA SHEET - SONDE 18 WW - 13757 - LED TUBELIGHT



13757
 EPISTAR LED
 Rated Luminaire luminous flux: 1620lm
 Rated input power: 18W
 Luminaire efficiency: 90lm/w
 Input voltage: AV220-240V



Product Description

With patented driver design, LED tube light is able to work with 90% of the major ballasts in the market regardless of whether it is inductive or electronic, the unique designed lens with oval shape makes it look same as fluorescent tube when light up. Universal compatible design allows you to replace the fluorescent tube directly without rewiring.

Technical Data

Product Data	LED Tubelight
Wattage	18W
Color Temperature	6000K
Rated Luminaire Luminous Flux	1620lm
IP Rating	20
Beam Angle	360°
Frequency Range	50-60Hz
CRI	Ra>80
Power Factor	>0.9
Material	Acrylic body + Frosted Shade
Finish	White
Life Span	20,000Hrs
Warranty	2 Years
Applications	Residential, Commercial, Retail, etc.