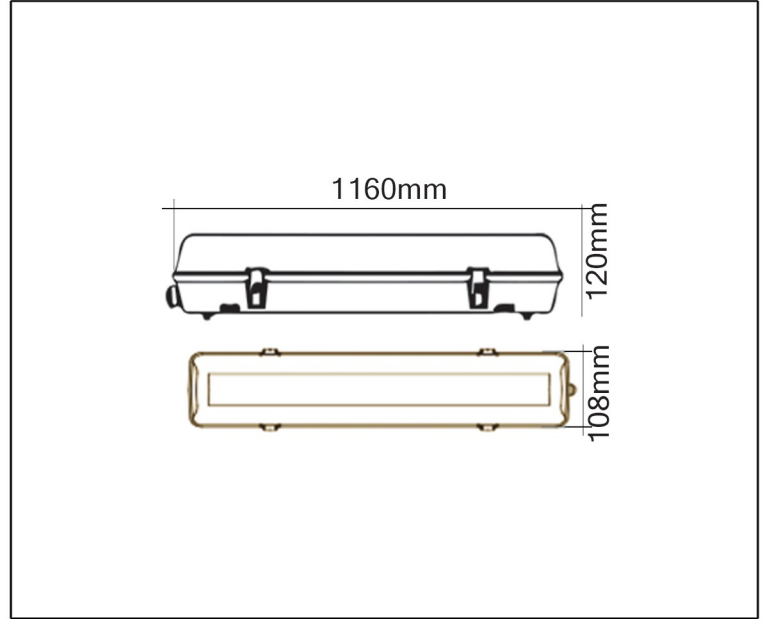


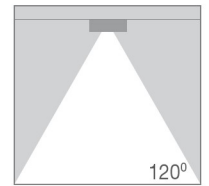
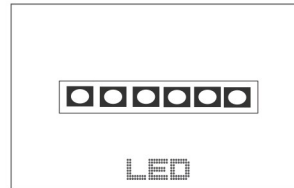
SYV[®]
design

WATERPROOF
BATTEN LIGHT

TECHNICAL DATA SHEET - WETTER 50 - 14361 - BATTEN FITTING



14361
 LG LED
 Driver: Tridonic
 Rated Luminaire Luminous Flux: 5000lm
 Rated input power: 50W
 Luminaire Efficiency: 100lm/W
 Input Voltage: 220-240V



Product Description

Wetter waterproof fixture with PC cover & ABS base provides functional lighting allowing ample brightness for any space. Wetter makes it easier to plan your lighting needs for a comfortable environment.

Technical Data

Product Data	Batten Fitting
Wattage	50W
Color Temperature	4000K
Rated Luminaire Luminous Flux	5000lm
IP Rating	65
Beam Angle	120°
Frequency Range	50-60Hz
CRI	Ra>80
Power Factor	>0.9
Material	PC Opal Diffuser with GRP Body & SS Clips
Finish	White
Life Span	50,000 hours
Warranty	5 Years
Applications	Residential, Commercial, Hospitality, etc.

Options

Wattage	20W, 30W, 36W, 45W, 54W, 65W
Color Temperature	2700K - 6500K
Lens	Opal, Clear