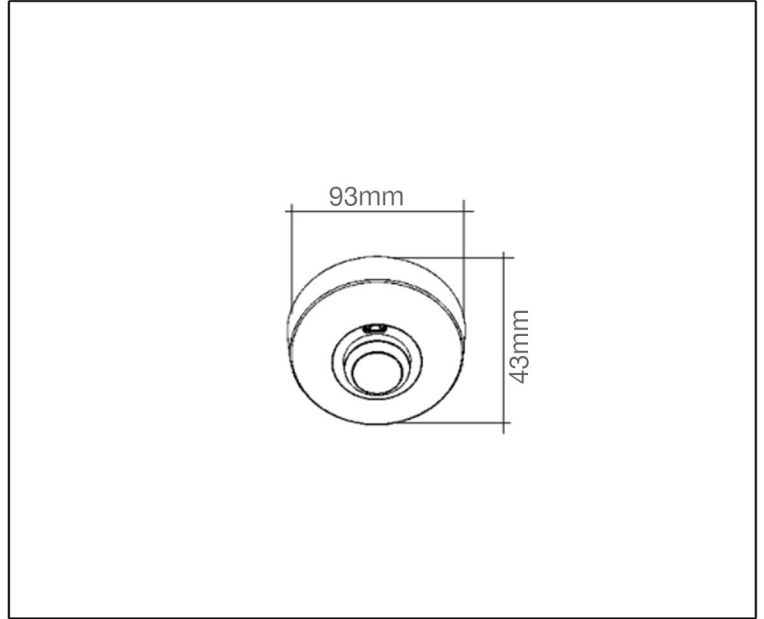




SURFACE MOUNTED
MOTION SENSOR

TECHNICAL DATA SHEET - 13350 - SURFACE MOUNTED MOTION SENSOR



13350
 Wattage: 1200W
 Rated input power: 220-240 VAC



Product Description

The product is a new energy-saving product, it adopts microwave sensor mould with high frequency electro-magnetic wave & integrated circuit. The 360° high-frequency presence detector for identifying movement absolutely anywhere in the detection zone of 1-16m.

Technical Data

Product Data	Motion Sensor
Wattage	1200W
IP Rating	44
Ambient Light	2-2000 LUX
Frequency Range	50-60Hz
Time Delay	10sec to 12 min
Rated Load	MX1200W- 3000W
Beam Angle	360°
Detection Distance	16M - 20M Max
Installation Height	1.5 to 3.5M
Warranty	5 Years
Applications	Residential, Commercial, Hospitality

