

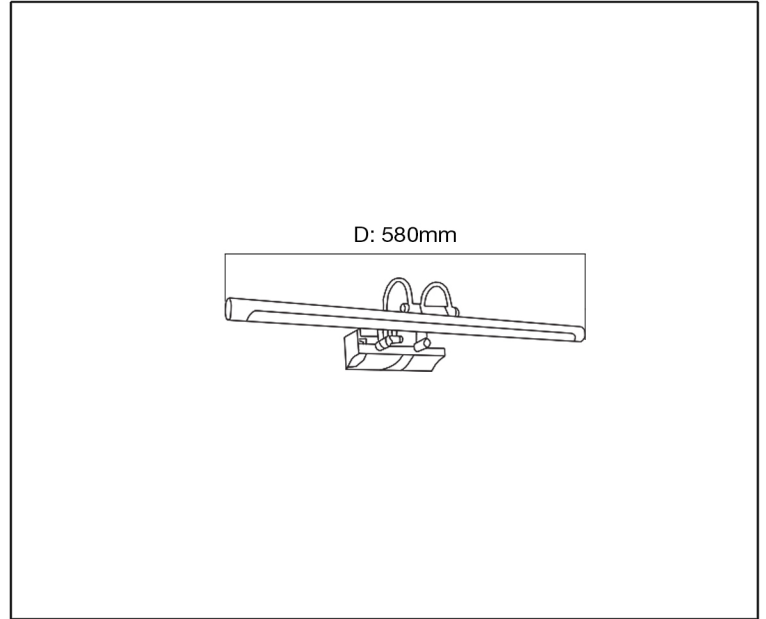
# SYV<sup>®</sup>

design



## MIRROR LIGHT

## TECHNICAL DATA SHEET - CULLA D/L - 13813 - MIRROR LIGHT



13813  
 EPISTAR LED  
 Rated Luminaire Luminous Flux: 765lm  
 Rated input power: 9W  
 Luminaire Efficiency: 85lm/W  
 Input Voltage: 220-240V



### Product Description

Culla is designed to the highest quality standards whilst keeping both style and functionality in mind. With cast steel end caps thick extruded glass diffuser, Culla promises to provide lighting that suit your eyes.

### Technical Data

Product Data	Wall Light
Wattage	9W
Color Temperature	6000K
Rated Luminaire Luminous Flux	765lm
IP Rating	44
Beam Angle	90°
Current	0.04mA
Frequency	50-60Hz
CRI	Ra>80
PF	>0.9
Material	Stainless Steel & Acrylic Body
Finish	Chrome
Warranty	2 Years
Applications	Residential, Retail, Hospitality