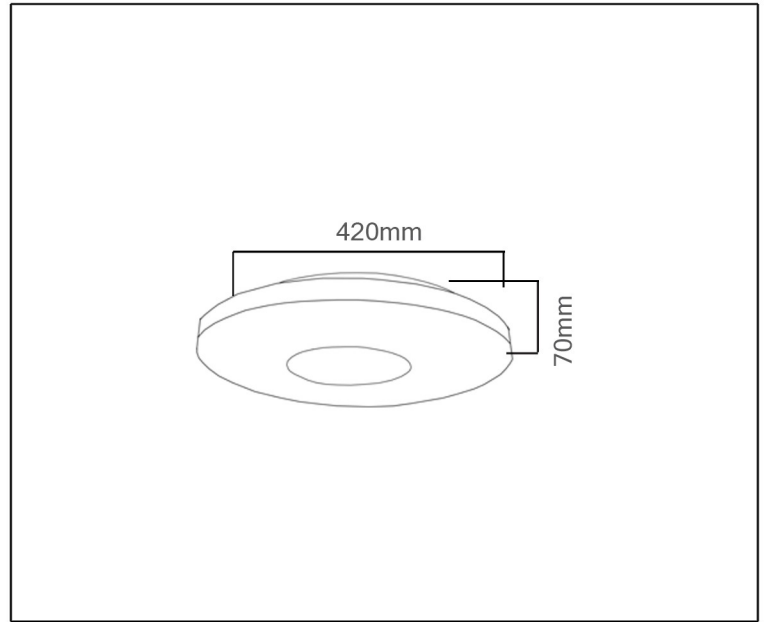


SYV[®]
design

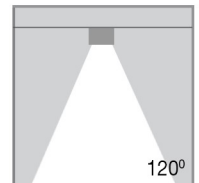
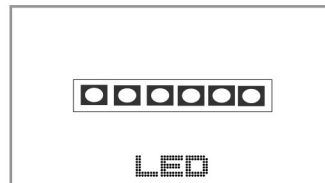


CEILING LUMINAIRE

TECHNICAL DATA SHEET - ALUMBAR - 14838 - CEILING LUMINAIRE



EPISTAR LED
 Wattage: 24W
 Rated Luminaire Luminous Flux: 2400lm
 Rated Luminaire Efficiency: 100lm/W
 Rated input power: 185-285V AC



Product Description

This LED light will blend harmoniously in its surrounding space and generate a pleasant diffused light. Alumbar plays a leading role in the application of this new technology, the design and production of their own LED lights, the production of innovative LED products and custom made solutions.

Technical Data

Product Data	Ceiling Light
Wattage	24W
Color Temperature	3000K
Rated Luminaire Luminous Flux	2400lm
IP Rating	42
Beam Angle	120°
Frequency Range	50-60Hz
CRI	Ra>82
Power Factor	>0.9
Material	Metal Base + Acrylic Diffuser
Finish	White
Life Span	30,000 Hours
Warranty	3 Years
Applications	Retail, Commercial, Residential, etc.