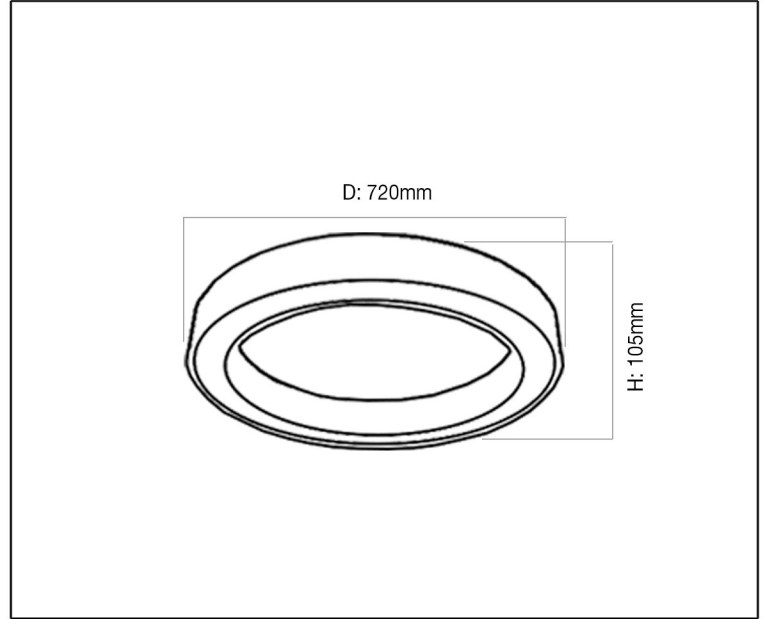
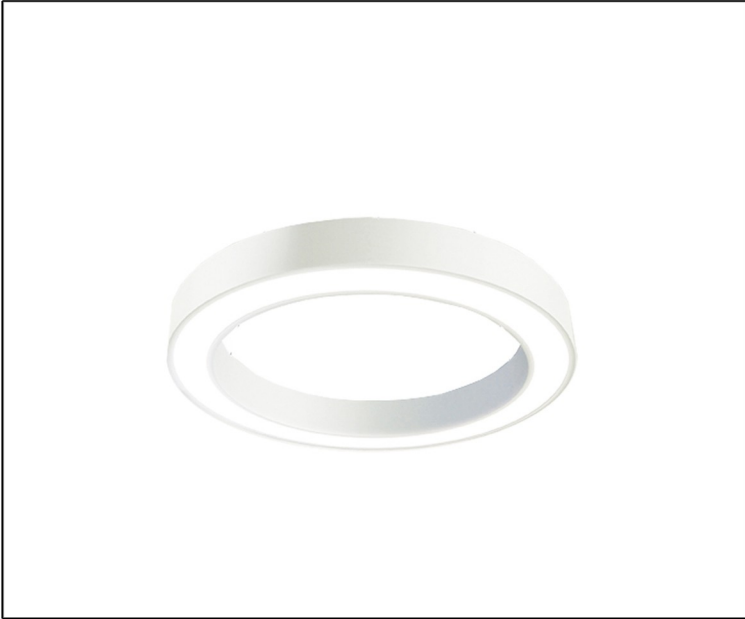


SYV[®]
design



CEILING LUMINAIRE

TECHNICAL DATA SHEET - ARO - 14828 - CEILING MOUNTED



14828
 SAMSUNG LED
 Rated Luminaire luminous flux: 6,221lm
 Rated input power: 57.6W
 Luminaire efficiency: 108lm/w
 Input voltage: 90-250V



Product Description

A surface mounted ring light effect can upgrade any project, adding sophistication and emphasizing detail in interior design. The Aro is the new top-notch ceiling light for indoor areas, allowing the user to create depth in a room via an evenly illuminated wall.

Technical Data

Product Data	Ceiling Light
Wattage	57.6W
Color Temperature	4000K
Rated Luminaire Luminous Flux	6,221lm
IP Rating	42
Frequency Range	50-60 Hz
CRI	Ra>80
Power Factor	>0.9
Material	Aluminium Body + PMMA Diffuser
Finish	White
Life Span	50,000Hrs
Warranty	5 Years
Applications	Residential, Commercial, Hospitality, etc.

Options

Color Temperature	3000K - 6000K
Dimmable	TRIAC, Dali, 0-1V, 0-10V, Others
Finish	White