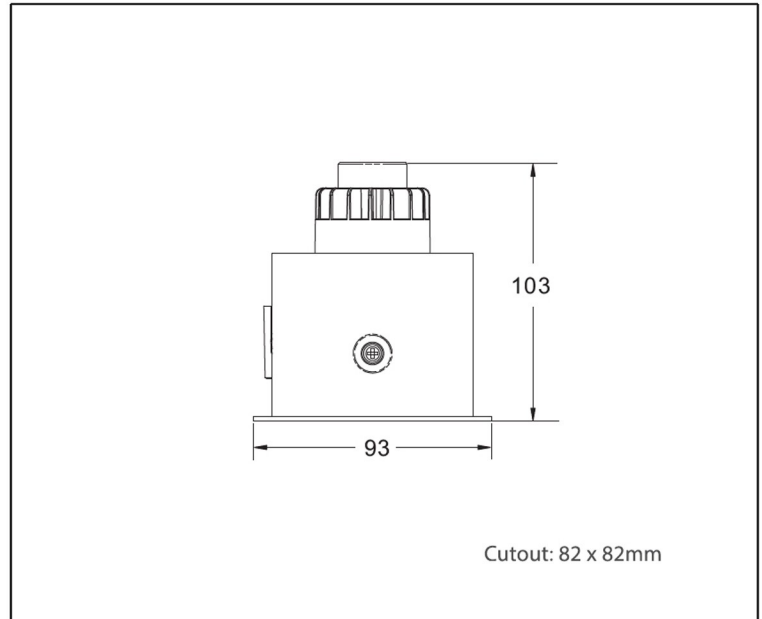
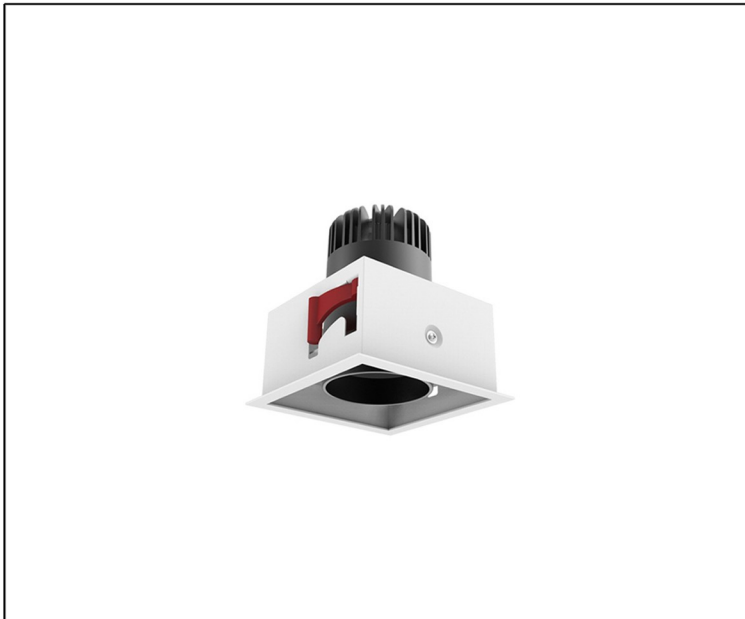


SYV[®]
design

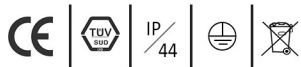


RECESSED SPOTLIGHT

TECHNICAL DATA SHEET - CASA 1 - 14921 - RECESSED SPOTLIGHT



14921
 CREE LED
 PHILIPS DRIVER
 Rated Luminaire Luminous Flux: 650lm
 Rated input power: 1 x 8W
 Luminaire efficiency: 81lm/w
 Input voltage: AC200-240V



Product Description

A high performance and extremely compact spotlight. Casa has high performance, rich light chromaticity and excellent colour distribution that is available in three different sizes depending on the lamp quantity you require for your indoor.

Technical Data

Product Data	Recessed Spotlight
Wattage	1 x 8W
Color Temperature	3000K
Rated Luminaire Luminous Flux	650lm
IP Rating	44
Beam Angle	36°
Rotable	350°
Frequency Range	50-60Hz
CRI	Ra>82
Power Factor	>0.9
Material	Aluminium Alloy
Finish	White + Iron Gray
Life Span	50,000Hrs
Warranty	5 Years
Applications	Retail, Commercial, Residential, etc.

Options

Wattage	1 x 10W
Color Temperature	3000K-5000K
Beam Angle	15° 24° 36°