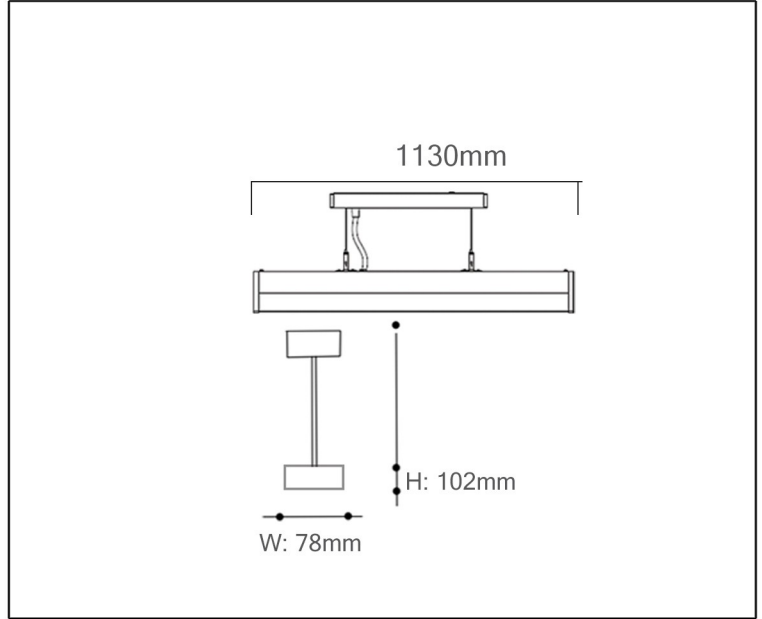


**SYV**  
design

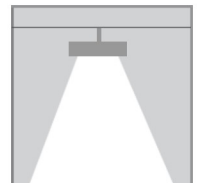
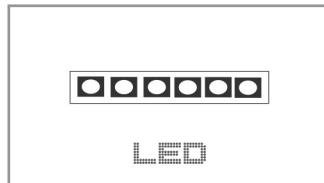


SUSPENDED MOUNTED LIGHT

## TECHNICAL DATA SHEET - DIDO BK - 14849 - SUSPENDED MOUNTED LIGHT



14849  
 SAMSUNG LED  
 OSRAM Driver  
 Rated Luminaire luminous flux: 4,050lm  
 Rated input power: 45W  
 Luminaire efficiency: 90lm/w  
 Input voltage: 220-240V



### Product Description

Dido series architectural linear led suspended fixture bring clean lines and clear light to commercial LED or residential lighting interiors. Our sleek, stylish fixtures are highly effective and efficient lighting solutions for hotels, offices, retail outlets, restaurants, and more. Our Linear Lights are a stylish alternative to downlights. Linear lights can create a functional yet relaxing atmosphere and provide an even wash of light within a space.

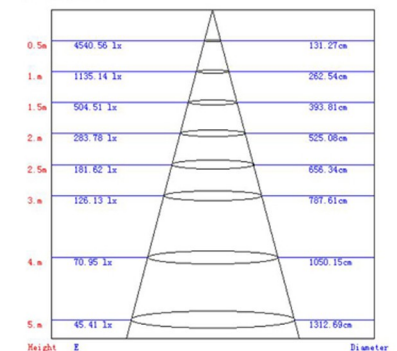
### Technical Data

Product Data	Suspended Mounted Light
Wattage	45W
Color Temperature	4000K
Rated Luminaire luminous flux	4,050lm
IP Rating	20
Frequency Range	50-60Hz
CRI	>80
Power Factor	>0.9
Material	Aluminium Profile + PMMA Diffuser
Finish	Matt Black
Life Span	50,000Hrs
Warranty	5 Years
Applications	Hospitality, Commercial, etc.

### Options

Wattage	15W, 22W, 30W, 40W
Color Temperature	3000K - 6000K

Lux-Distance Curve



Beam Angle: 105.40°

Light Distribution Curve [Unit: cd]

