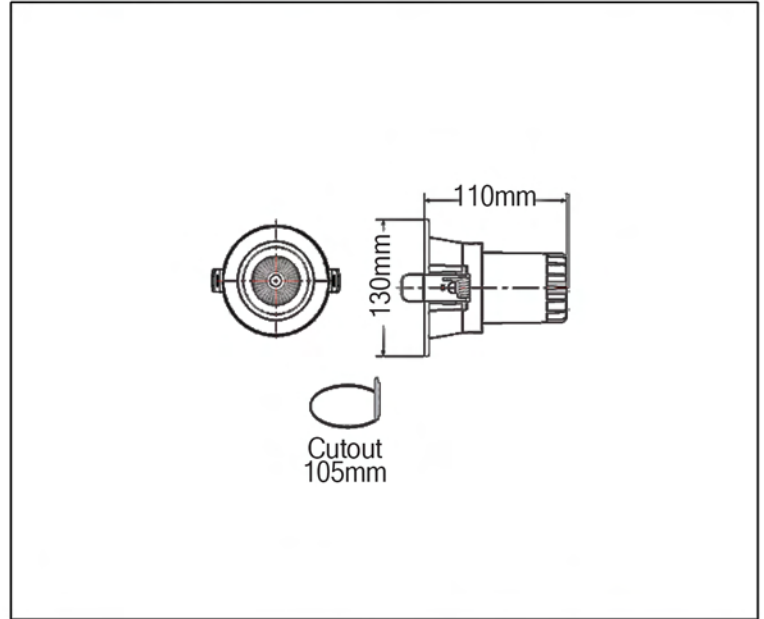


SYV

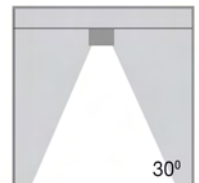
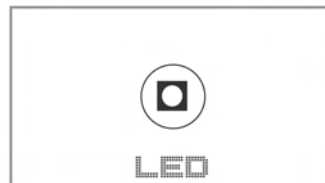


RECESSED DOWNLIGHT

TECHNICAL DATA SHEET - GENSSSEN 20 WW - 13321 - RECESSED DOWNLIGHT



13321
 CREE LED
 Rated Luminaire luminous flux: 1300lm
 Rated input power: 20W
 Luminaire efficiency: 65lm/w
 Input voltage: 220-240V



Product Description

Delivering exceptional Cree LED Downlight with high quality and efficacy up to 80 lumens per watts, the Genssen Series downlight maximizes energy savings for commercial & residential applications. Designed with versatility in mind, this fixture is available in warm or day color temperatures with variety of sizes in small or large.

Technical Data

Product Data	Recessed Downlight
Wattage	20W
Color Temperature	3000K
Rated Luminaire Luminous Flux	1300lm
IP Rating	44
Beam Angle	30°
Current	500mA
Frequency Range	50-60Hz
CRI	Ra>90
Power Factor	>0.9
Material	Aluminum body + Clear Glass + Adjustable frame
Finish	White
Life Span	50,000Hrs
Warranty	5 Years
Applications	Residential, Commercial, Retail, etc.

Options

Wattage	12W, 15W, 20W
Color temperature	2700K - 5000K
Beam Angle	15°, 30°
Dimmable	Dali, 0-10V, 1-10V, TRIAC, Others

