

# SYV



## PHOTOGRAPHY NOW!

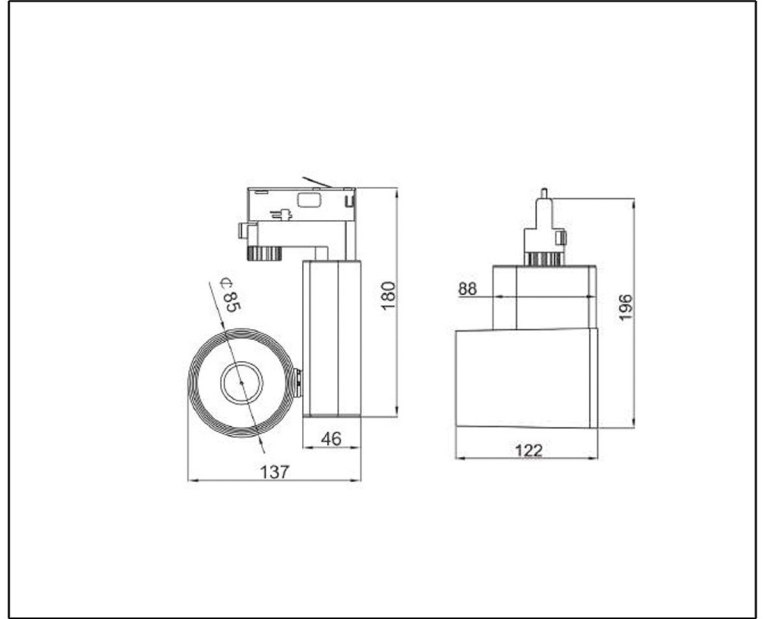
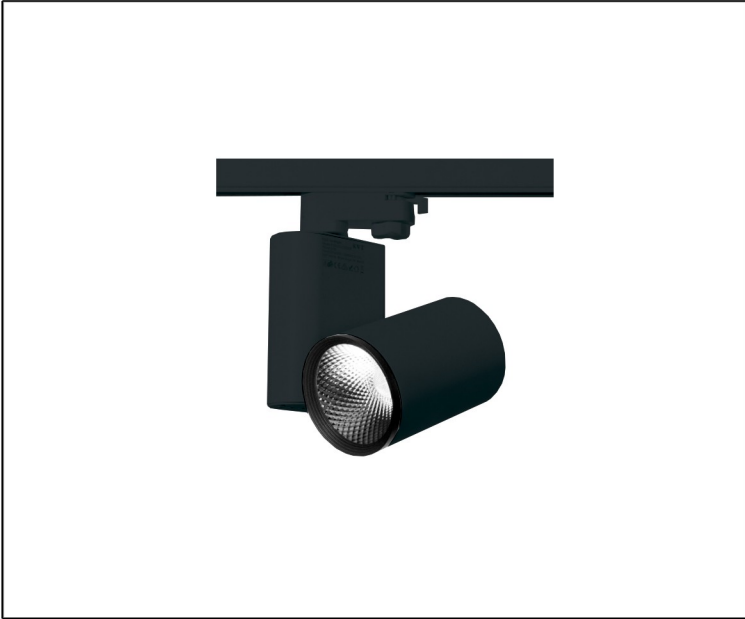
JASON EVANS  
CHARLOTTE DUMAS  
HARTEN LANGE  
CRISTINA DE MIDDEL  
INKA LINDERGARD  
&  
NICLAS HOLMSTROM  
NERHOL  
SOHEI NISHINO  
ED PANAR  
MOTOYUKI DAIFU  
LUKE STEPHENSON  
CLARE STRAND  
SCHELTENS & ABBENES



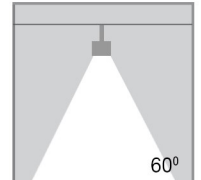
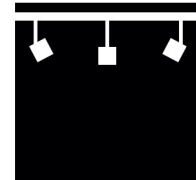
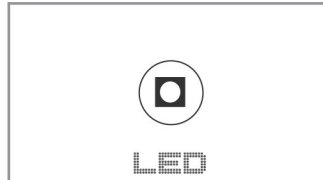
SPOT &  
TRACK LIGHT



## TECHNICAL DATA SHEET - HEAN - 14239 - TRACK LIGHT



14239  
 LED  
 Rated Luminaire luminous flux: 2520lm  
 Rated input power: 35W  
 Luminaire efficiency: 72lm/w  
 Input voltage: 220-240V



### Product Description

Made of high quality aluminum materials & designed with unique light distribution. This versatile, adaptable & flexible track light can be configured to best meet your unique individual needs.

### Technical Data

Product Data	Track Light
Wattage	35W
Color Temperature	3000K
Rated Luminaire Luminous Flux	2520lm
IP Rating	20
Beam Angle	60°
Current	820mA
Frequency Range	50-60Hz
CRI	Ra>80
Power Factor	>0.95
Material	Die Cast Aluminium Body
Finish	Black
Life Span	30,000Hrs
Warranty	3 Years
Applications	Residential, Commercial, Retail, etc.

### Options

Wattage	15W, 20W, 25W, 30W, 35W
Color Temperature	2700K, 3000K, 4000K
Beam Angle	15°, 24°, 36°, 60°
Finish	Black, White, Silver