

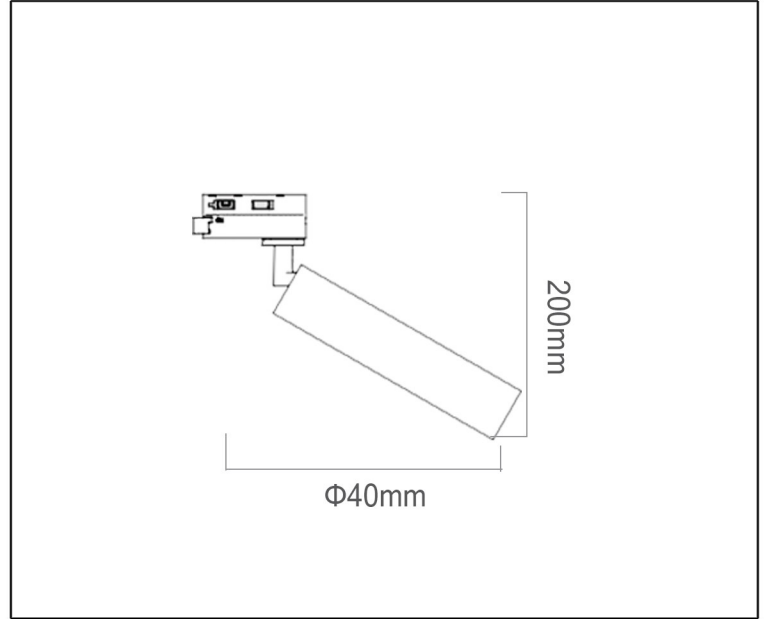
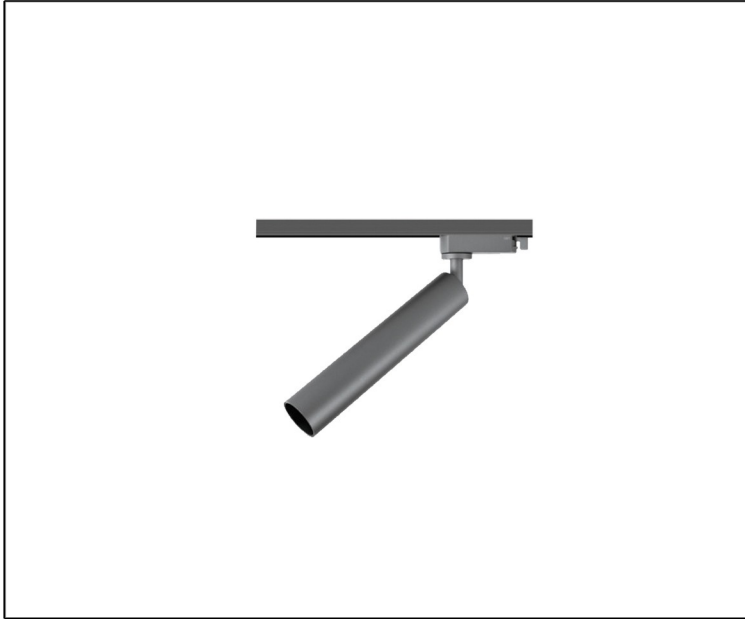
SYV[®]

design

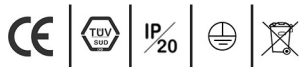
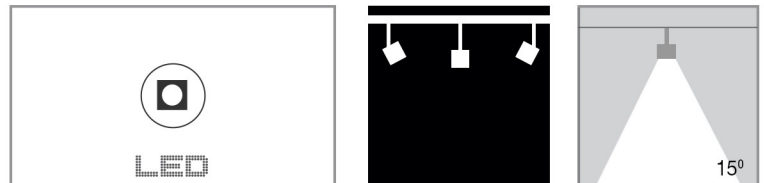
TRACK LIGHT



TECHNICAL DATA SHEET - LATOUR T - 14938 - TRACK LIGHT



14938
 CREE LED
 Rated Luminaire Luminous Flux: 297lm
 Rated input power: 7W
 Luminaire efficiency: 42lm/w
 Input voltage: AC200-240V



Product Description

The Latour range is specially designed to guarantee a uniform and perfectly balanced light output, resulting in a focused lighting effect. It defines the ultimate geometric symbol seamlessly integrated into architecture.

Technical Data

Product Data	Track light
Wattage	7W
Color Temperature	3000K
Rated Luminaire Luminous Flux	297lm
IP Rating	20
Beam Angle	15°
Frequency Range	50-60Hz
CRI	Ra>80/90
Power Factor	>0.9
Material	Die Cast Aluminium
Finish	Black/Grey
Life Span	30,000Hrs
Warranty	3 Years
Applications	Residential, Commercial, Retail, etc.

Options

Color Temperature	3000K-4000K
Beam Angle	15°, 24°
Finish	White, Titanium