

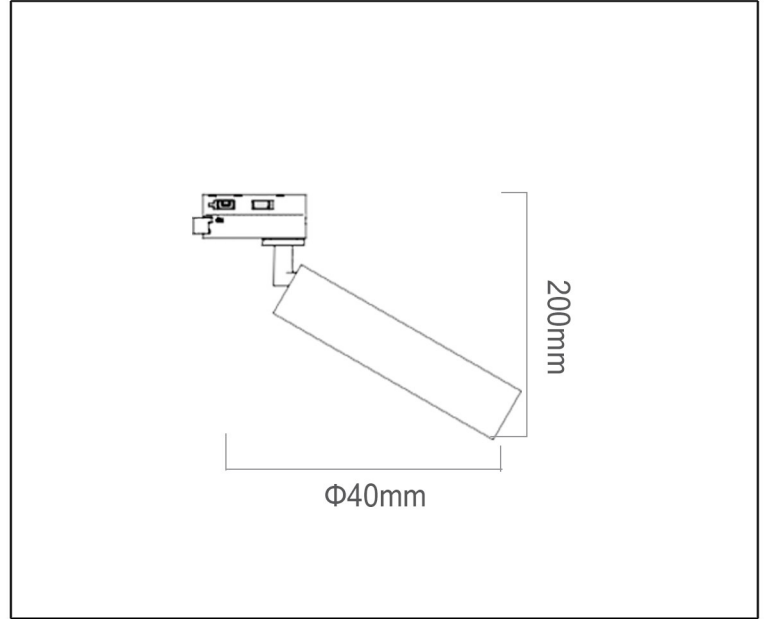
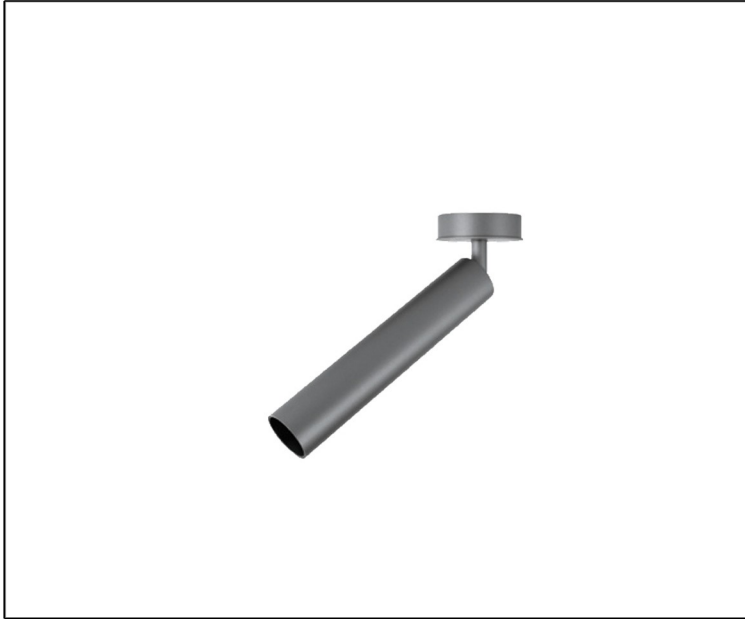
# SYV<sup>®</sup>

design

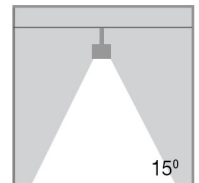
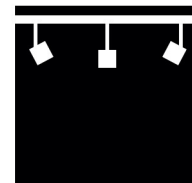
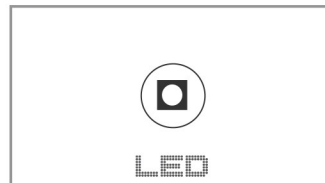
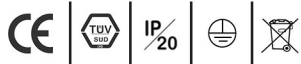
TRACK LIGHT



## TECHNICAL DATA SHEET - LATOUR S - 14939 - TRACK LIGHT



14939  
 CREE LED  
 Rated Luminaire Luminous Flux: 297lm  
 Rated input power: 7W  
 Luminaire efficiency: 42lm/w  
 Input voltage: AC200-240V



### Product Description

The Latour range is specially designed to guarantee a uniform and perfectly balanced light output, resulting in a focused lighting effect. It defines the ultimate geometric symbol seamlessly integrated into architecture.

### Technical Data

Product Data	Track light
Wattage	7W
Color Temperature	3000K
Rated Luminaire Luminous Flux	297lm
IP Rating	20
Beam Angle	15°
Frequency Range	50-60Hz
CRI	Ra>80/90
Power Factor	>0.9
Material	Die Cast Aluminium
Finish	Black/Grey
Life Span	30,000Hrs
Warranty	3 Years
Applications	Residential, Commercial, Retail, etc.

### Options

Color Temperature	3000K-4000K
Beam Angle	15°, 24°
Finish	White, Titanium