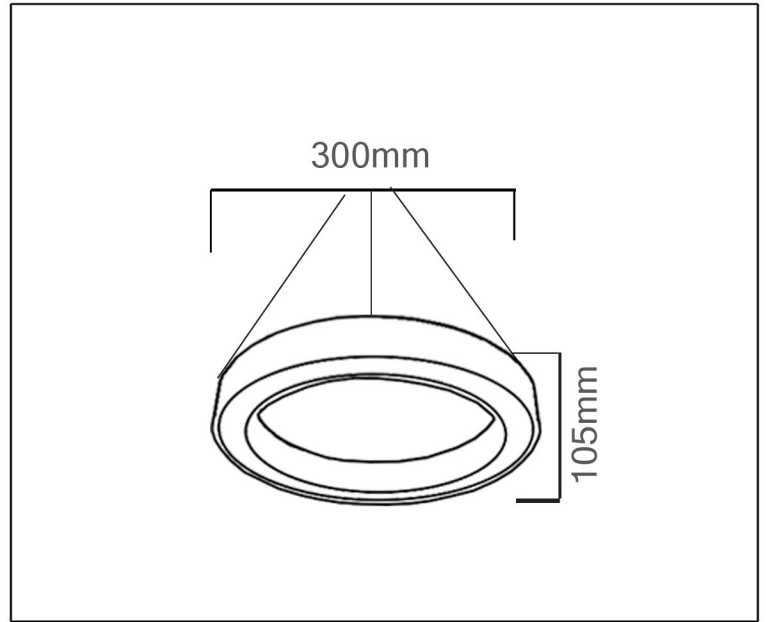


SYV[®]
design

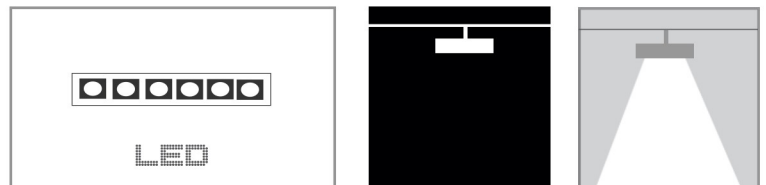


SUSPENDED MOUNTED LIGHT

TECHNICAL DATA SHEET - LIYAMADA - 14826 - SUSPENDED MOUNTED LIGHT



14826
 SAMSUNG LED
 Rated Luminaire luminous flux: 6,221lm
 Rated input power: 57.6W
 Luminaire efficiency: 108lm/w
 Input voltage: 185-285V



Product Description

A surface mounted ring light effect can upgrade any project, adding sophistication and emphasizing detail in interior design. The Aro is the new top-notch ceiling light for indoor areas, allowing the user to create depth in a room via an evenly illuminated wall.

Technical Data

Product Data	Suspended Mounted Light
Wattage	57.6W
Color Temperature	4000K
Rated Luminaire luminous flux	6,221lm
IP Rating	20
Frequency Range	50-60Hz
CRI	>80
Power Factor	>0.9
Material	Aluminium Body + PMMA Diffuser
Finish	Matt White
Life Span	50,000Hrs
Warranty	5 Years
Applications	Residential, Hospitality, Commercial, etc.

Options

Color Temperature	3000K - 6000K
Dimmable	Dali, 0-10V, 1-10V, TRIAC, Others
Finish	Black

LUMINOUS INTENSITY DISTRIBUTION DIAGRAM

