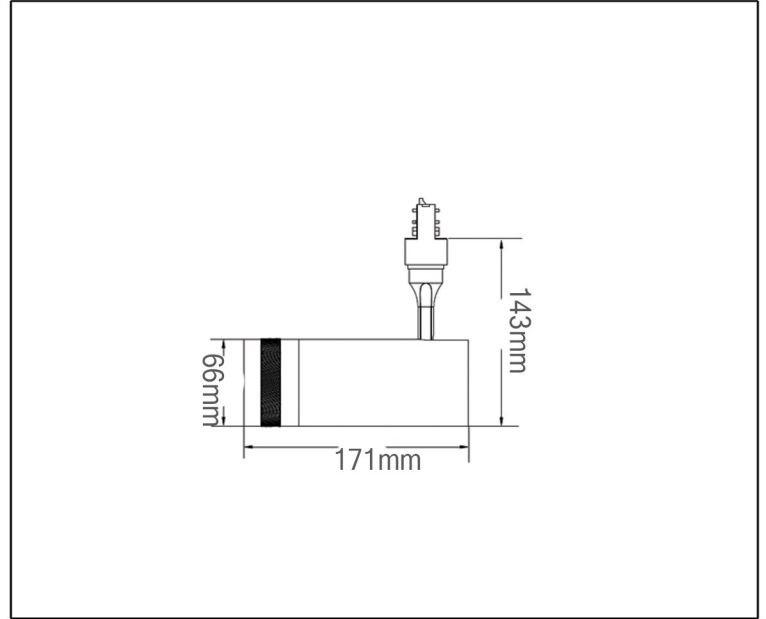


SYV[®]
design

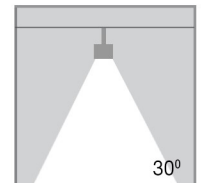
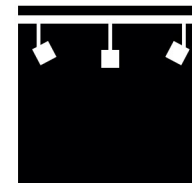
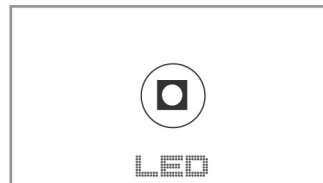
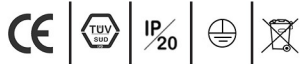


TRACK LIGHT

TECHNICAL DATA SHEET - MEDIDA - 14929 - TRACK LIGHT



14929
 CITIZEN LED
 Rated Luminaire Luminous Flux: 850lm
 Rated input power: 10W
 Luminaire efficiency: 85lm/w
 Input voltage: AC200-240V



Product Description

The Medida features the Rotation System allowing the user to move in a very dynamic and fluid way. It can come in different wattage power options and can be completed with a range of color temperatures.

Technical Data

Product Data	Track light
Wattage	10W
Color Temperature	3000K
Rated Luminaire Luminous Flux	850lm
IP Rating	20
Beam Angle	30°
Frequency Range	50-60Hz
CRI	Ra>80/90
Power Factor	>0.9
Material	Aluminium body
Finish	Black
Life Span	50,000Hrs
Warranty	5 Years
Applications	Residential, Commercial, Retail, etc.

Options

Wattage	15W
Color Temperature	3000K - 4000K
Beam Angle	15 - 50°
Dimmable	1-10V