

# SYV<sup>®</sup>

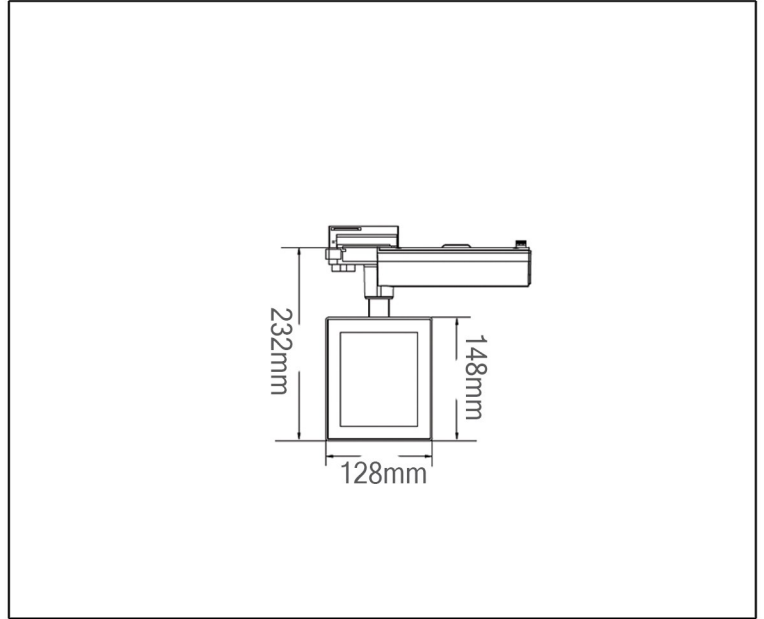
design



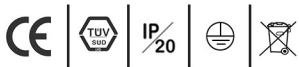
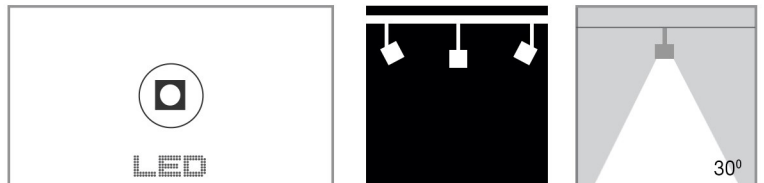
TRACK LIGHT



## TECHNICAL DATA SHEET - ORLAR - 14930 - TRACK LIGHT



14930  
 CREE LED  
 Rated Luminaire Luminous Flux: 3150lm  
 Rated input power: 35W  
 Luminaire efficiency: 90lm/w  
 Input voltage: AC200-240V



### Product Description

With the launch of Orlar, the track lights has been extended to become a diverse range. The square shape of the orlar makes it particularly efficient, guarantees maximum light output and upgrades the design. In this Boxy range you can choose between different power or color temperatures that suits your interiors.

### Technical Data

Product Data	Track light
Wattage	35W
Color Temperature	3000K
Rated Luminaire Luminous Flux	3150lm
IP Rating	20
Beam Angle	30°
Frequency Range	50-60Hz
CRI	Ra>80/90
Power Factor	>0.9
Material	Die Cast Aluminium
Finish	Black
Life Span	50,000Hrs
Warranty	5 Years
Applications	Residential, Commercial, Retail, etc.

### Options

Color Temperature	3000K-4000K
Beam Angle	15°-50°
Dimmable	DALI, TRIAC, 0-10V, 1-10V, Others
Finish	White

