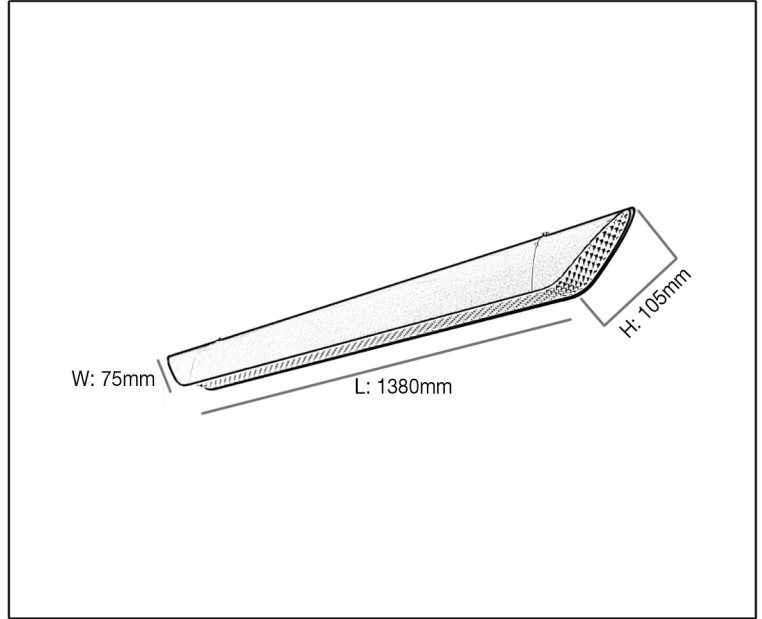


**SYV**<sup>®</sup>  
design

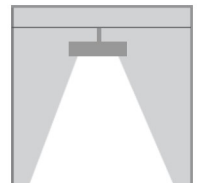
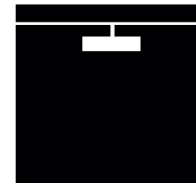
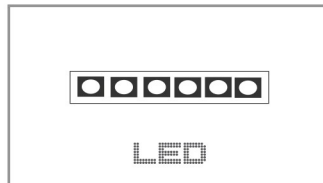


SUSPENDED MOUNTED LIGHT

## TECHNICAL DATA SHEET - PIGNATARO - 14847 - SUSPENDED MOUNTED LIGHT



14847  
 SAMSUNG LED  
 Rated Luminaire luminous flux: 2,592lm  
 Rated input power: 36W  
 Luminaire efficiency: 72lm/W  
 Input voltage: 220-240V



### Product Description

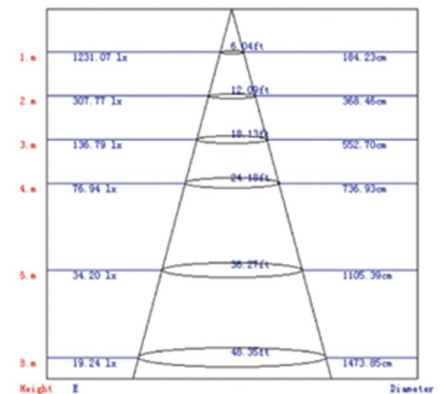
The Pignataro baffle inset offers an excellent glare control and creates a rigid angle of light beam, it's designed to replace spot light in many cases.

### Technical Data

Product Data	Suspended Mounted Light
Wattage	36W
Color Temperature	4000K
Rated Luminaire luminous flux	2,592lm
IP Rating	20
Frequency Range	50-60Hz
CRI	>80-85
Power Factor	>0.9
Material	Aluminium Profile + PMMA Diffuser
Finish	Matt Black
Life Span	50,000Hrs
Warranty	5 Years
Applications	Hospitality, Commercial, etc.

### Options

Color Temperature	3000K - 6000K
Finish	Yellow, Green, Orange, Silver, White



Beam Angle 85.30°

Light Distribution Curve [Unit: cd]

