

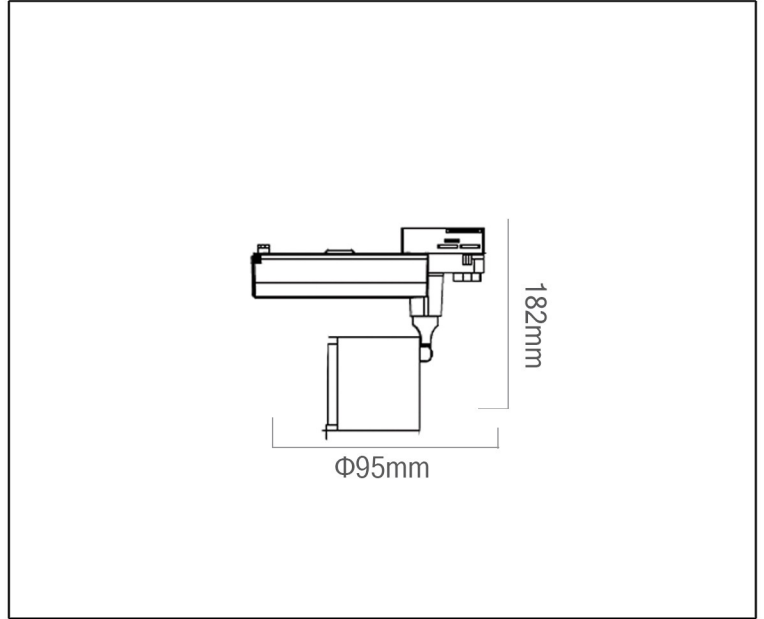
SYV[®]

design

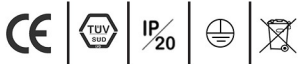
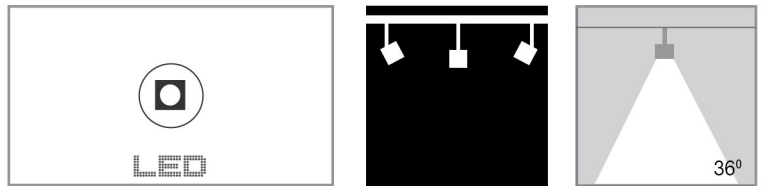


TRACK LIGHT

TECHNICAL DATA SHEET - SITIO - 14994 - TRACK LIGHT



14994
 CITIZEN LED
 Rated Luminaire Luminous Flux: 1950lm
 Rated input power: 30W
 Luminaire efficiency: 65lm/w
 Input voltage: AC200-240V



Product Description

Minimalism, functionality and versatility are the key terms to describe Sitio track lights. The Sitio was designed to meet multiple lighting requirements, an ideal solution for accent lighting in residential or commercial spaces.

Technical Data

Product Data	Track light
Wattage	30W
Color Temperature	3000K
Rated Luminaire Luminous Flux	1950lm
IP Rating	20
Beam Angle	36°
Frequency Range	50-60Hz
CRI	Ra>80/90
Power Factor	>0.9
Material	Aluminium body
Finish	White
Life Span	50,000Hrs
Warranty	5 Years
Applications	Residential, Commercial, Retail, etc.

Options

Wattage	35W
Color Temperature	3000K - 6000K
Beam Angle	15°, 24
Dimmable	DALI, TRIAC, 0-1V, 1-10V, Others

