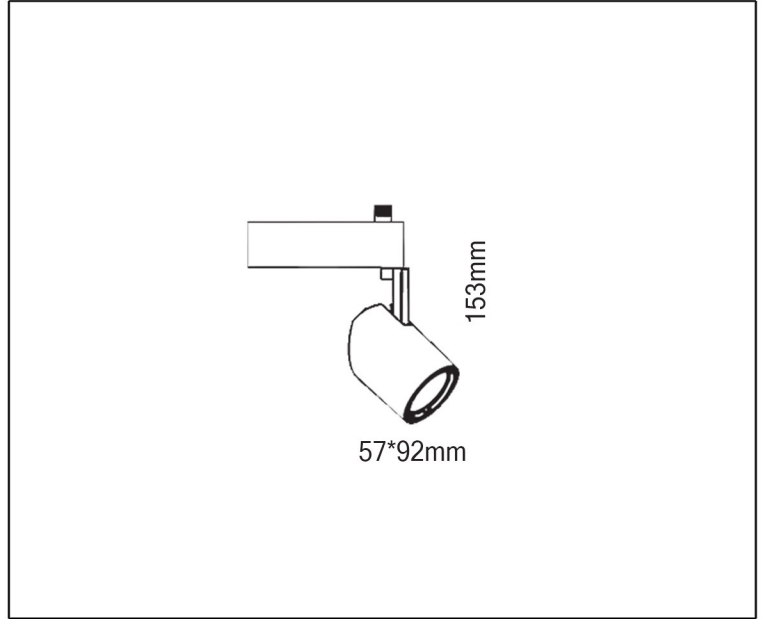


SYV[®]

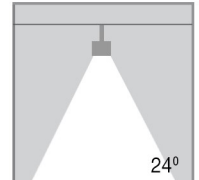
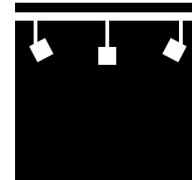
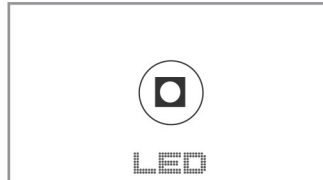


SPOT &
TRACK LIGHT

TECHNICAL DATA SHEET - SPUR - 12913 - TRACK LIGHT



12913
 CREE LED
 Rated Luminaire luminous flux: 650lm
 Rated input power: 12W
 Luminaire efficiency: 54lm/w
 Input voltage: 110-240V



Product Description

Made of high quality aluminum materials & designed with unique light distribution. This fresh and innovative track head combines aesthetics with superior functionality for applications such as specialty retail, grocery, galleries, museums, hospitality, residential and educational environments.

Technical Data

Product Data	Track Light
Wattage	12W
Color Temperature	3000K
Rated Luminaire Luminous Flux	650lm
IP Rating	20
Beam Angle	24°
Current	820mA
Frequency Range	50-60Hz
CRI	Ra>80
Power Factor	>0.9
Material	Aluminium alloy & plastic gear box
Finish	White
Life Span	30,000Hrs
Warranty	3 Years
Applications	Residential, Commercial, Retail, etc.

Options

Wattage	30W, 35W
Color Temperature	3000K, 4000K
Beam Angle	15°, 24°, 40°, 50°
Finish	Black, White, Silver