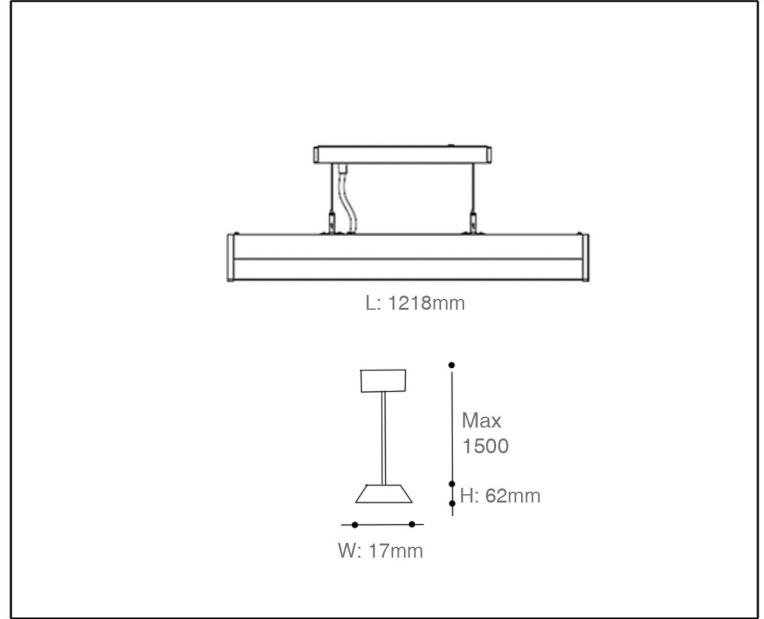


**SYV**<sup>®</sup>  
design

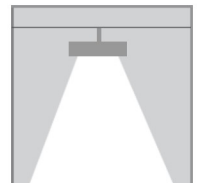
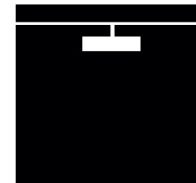
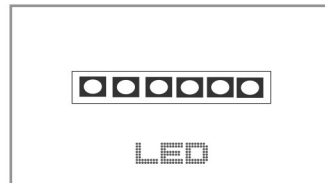


SUSPENDED MOUNTED LIGHT

## TECHNICAL DATA SHEET - SUBIR NW - 14852 - SUSPENDED MOUNTED LIGHT



14852  
 EPISTAR LED  
 Rated Luminaire luminous flux: 1,500lm  
 Rated input power: 25W  
 Luminaire efficiency: 60lm/w  
 Input voltage: 110-240V



### Product Description

Subir is an integrated suspended mounted LED in aluminium profile. It is durable and easy to install.

### Technical Data

Product Data	Suspended Mounted Light
Wattage	25W
Color Temperature	4000K
Rated Luminaire luminous flux	1,500lm
IP Rating	40
Frequency Range	50-60Hz
CRI	>83
Power Factor	≥0.95
Material	Aluminium Body + PC
Finish	Silver
Life Span	50,000Hrs
Warranty	5 Years
Applications	Residential, Hospitality, Commercial, etc.

### Options

Wattage	9W, 12.6W, 16.2W
Color Temperature	3000K - 6000K
Dimmable	Dali, 0-10V, 1-10V, TRIAC, Others
Finish	Matt White, Matt Black

