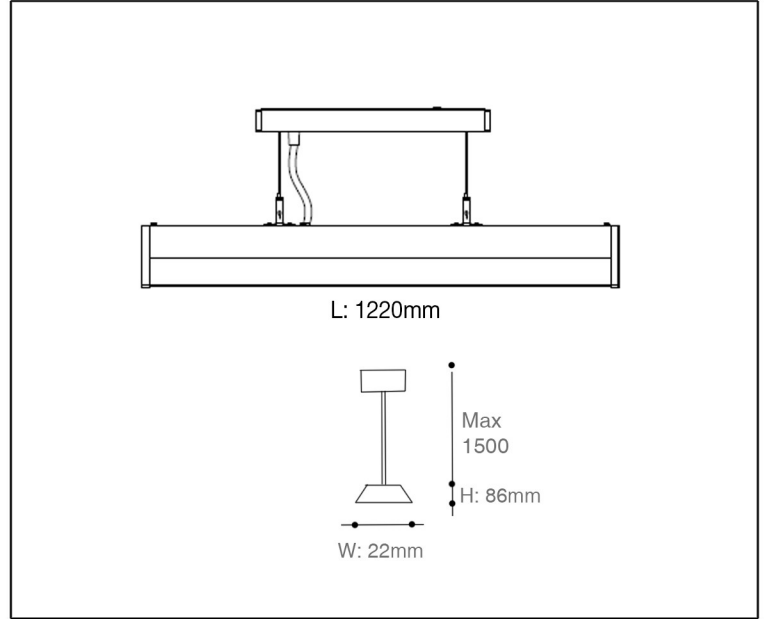
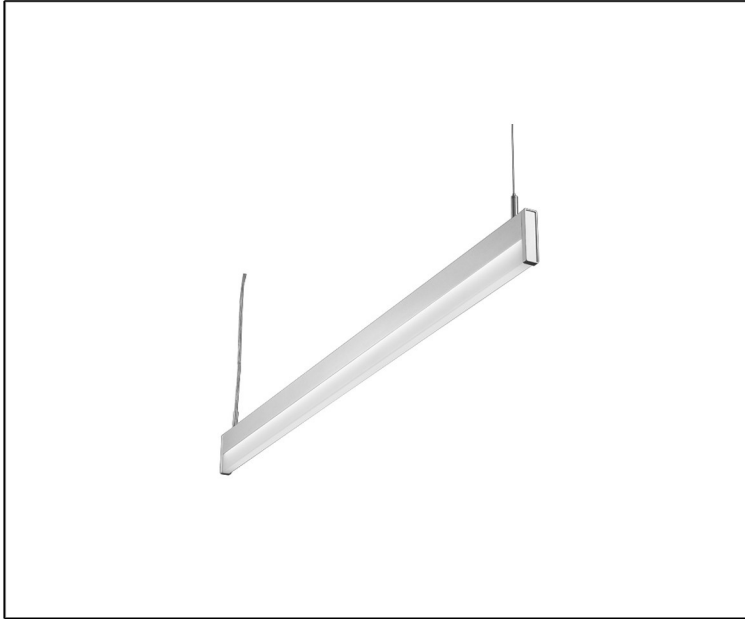


SYV
design

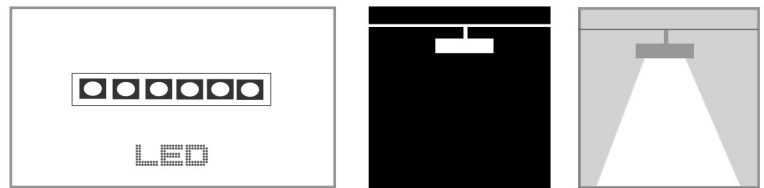


SUSPENDED MOUNTED LIGHT

TECHNICAL DATA SHEET - TENUE NW - 14856 - SUSPENDED MOUNTED LIGHT



14856
 SAMSUNG LED
 Rated Luminaire luminous flux: 1,800lm
 Rated input power: 25W
 Luminaire efficiency: 72lm/w
 Input voltage: 110-240V



Product Description

Tenue, a LED linear lamp in aluminium profile tiny and firm in structure with built in driver, premium extruded aluminium, reliable heat dissipation. Composed of premium aluminium and high-transmittance opal PC diffuser.

Technical Data

Product Data	Suspended Mounted Light
Wattage	25W
Color Temperature	4000K
Rated Luminaire luminous flux	1,800lm
IP Rating	40
Frequency Range	50-60Hz
CRI	>80
Power Factor	>0.9
Material	Aluminium Body + Acrylic
Finish	Silver
Life Span	50,000Hrs
Warranty	5 Years
Applications	Hospitality, Commercial, etc.

Options

Wattage	7.2W, 10.8W, 14.4W
Color Temperature	3000K - 6000K
Dimmable	Dali, 0-10V, 1-10V, TRIAC, Others
Finish	Matt White, Matt Black

