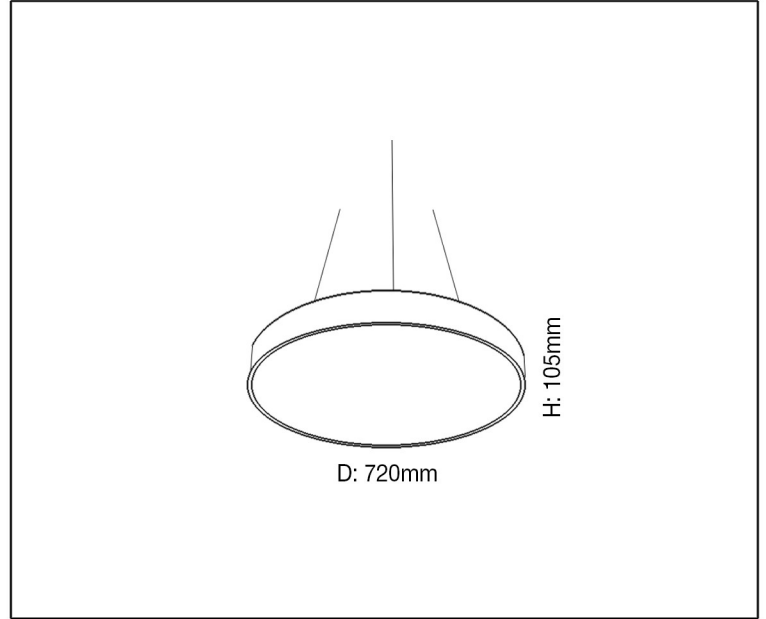


SYV
design

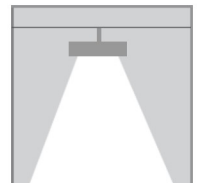
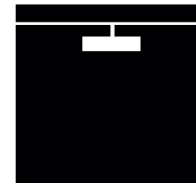
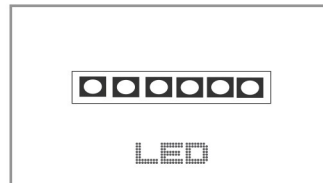


SUSPENDED MOUNTED LIGHT

TECHNICAL DATA SHEET - TIMBRE - 14827 - SUSPENDED MOUNTED LIGHT



14827
 SAMSUNG LED
 Rated Luminaire luminous flux: 8,424lm
 Rated input power: 64.8W
 Luminaire efficiency: 130lm/w
 Input voltage: 90-250V



Product Description

This round shaped suspended LED Light is perfect for home, living room, office, studio, restaurant, bedroom, etc. It creates a truly inspiring environment with appealing design and direct lighting.

Technical Data

Product Data	Suspended Mounted Light
Wattage	64.8W
Color Temperature	4000K
Rated Luminaire luminous flux	8,424lm
IP Rating	42
Frequency Range	50-60Hz
CRI	>80
Power Factor	>0.9
Material	Aluminium Body + PMMA Diffuser
Finish	Matt White
Life Span	50,000Hrs
Warranty	5 Years
Applications	Residential, Hospitality, Commercial, etc.

Options

Color Temperature	3000K - 6000K
Dimmable	Dali, 0-10V, 1-10V, TRIAC, Others
Finish	White