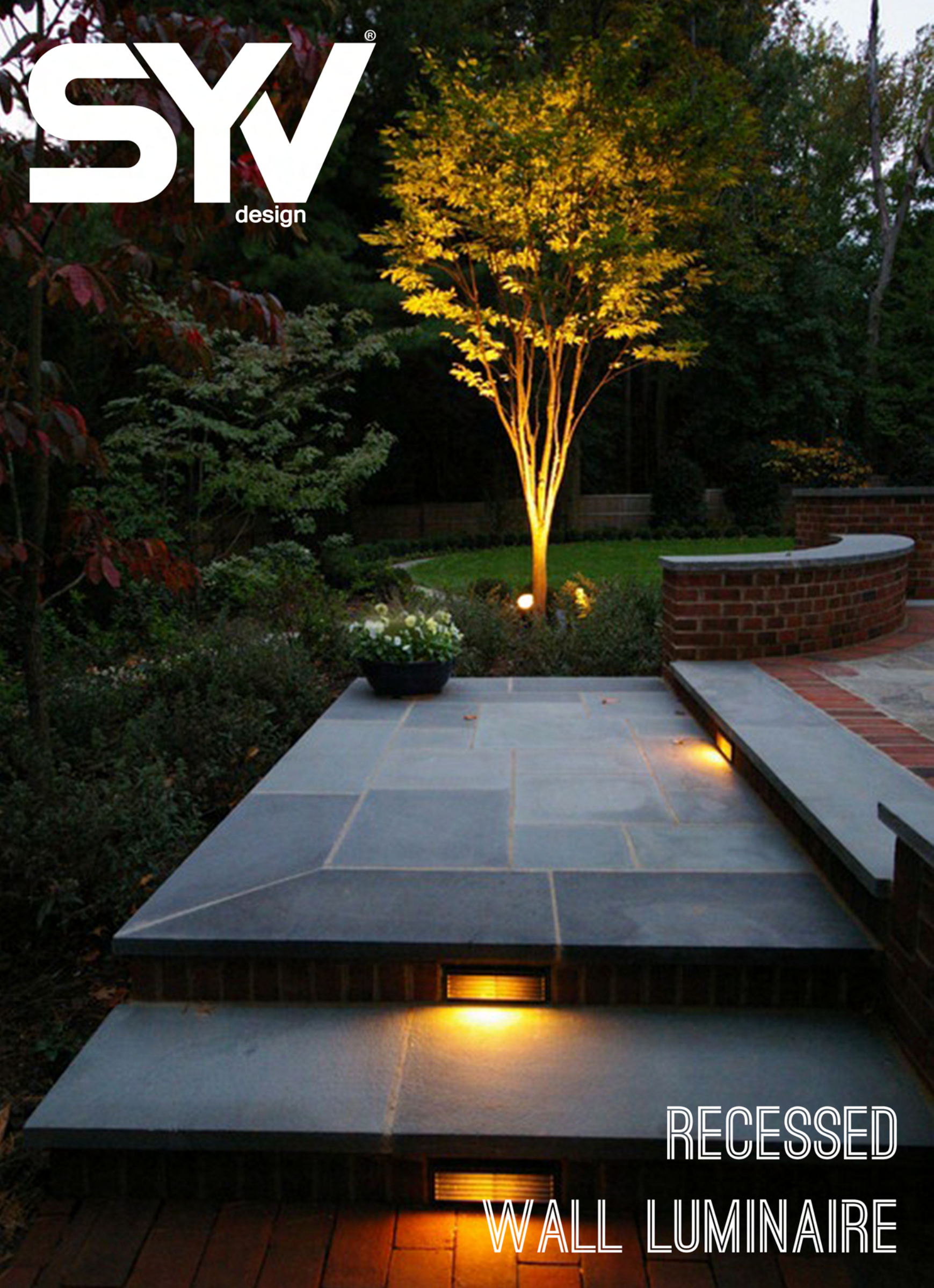
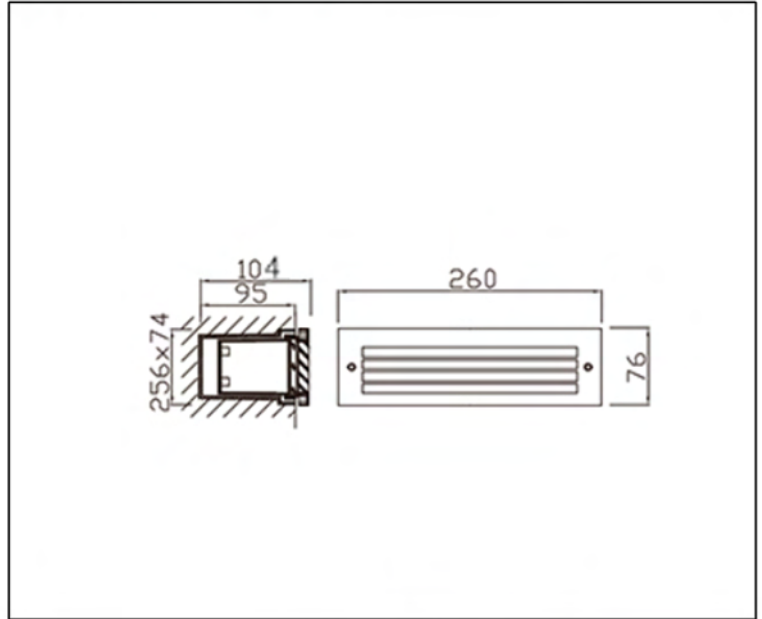


SYV[®]
design



RECESSED
WALL LUMINAIRE

TECHNICAL DATA SHEET - CASILLA - 14789 - RECESSED WALL LUMINAIRE



14789
 SAMSUNG LED
 Rated Luminaire luminous flux: 160lm
 Rated input power: 8W
 Luminaire efficiency: 20lm/W
 Input voltage: 220-240V



Product Description

Casilla is a stylish recessed lighting scheme that uses Eco-friendly, Warm White LED bulbs to create a modern, bright lighting scheme that effortlessly highlights your garden's best bits and looks great alongside steps or decking!!

Technical Data

Product Data	Recessed Wall Luminaire
Wattage	8W
Color Temperature	3000K
Rated Luminaire Luminous Flux	160lm
IP Rating	54
Beam Angle	100°
Current	350mA
Frequency Range	50-60Hz
CRI	Ra>80
Power Factor	>0.9
Material	Die Cast Aluminium + Frosted Glass
Finish	Black
Warranty	3 Years
Applications	Residential, Outdoor, etc.

